

DOMOS²

Audio y Domótica

Dear Installer,

I am pleased to present you DOMOS2, the new EGi series for homes.

EGi takes another step forward in the field of domestic equipment with DOMOS2.

We have invested all necessary time and means to offer the user an innovative and easy to handle series, which combines Hi-Fi stereo sound with a home domotic system.

Besides offering leading products in the sound system market, EGi also facilitates the installation process to the electrical installer. For this reason, DOMOS2 modules include plug-in terminal blocks that make easier the installation, enlargement or replacement of any modul belonging to this new series.

I wish you enjoy DOMOS2 and invite you to give us your opinion on this series, as well as any comments that would help us improve our EGi sound products.

I thank you once again for your confidence in EGi.

*Antonio Sánchez
General Manager*

YOUR INSTALLATION

DOMOS2 Series is based on a modular structure.

The main module of the installation is the CENTRAL UNIT for DIN rail mounting (or ø60 mm box).

This module distributes audio and manages all additional services provided by the series.

It is usually installed with the main audio equipment. Central units for ø60 mm box have the same function as central units for DIN rail mounting, but they must be combined in order to have similar features.

You will find an EGi CONTROL UNIT installed in each room. This module allows you to listen to the audio programs of the system in the room, turn the volume up/down, change the audio program, intercom with other rooms, etc.

There are other modules available that give additional services to the installation when connecting them to the Central Unit, for instance: door phone intercom, domotic services, lighting control, GSM communication, GPS clock, etc.

This manual gives a detailed description of each module and describes how to configure them.

Simbols

ON Turned on	Local function	Do not disturb	Lighting atmospheres (1,2,3 and 4)
OFF Turned off	Domotic functions	Surveillance/Baby sitter	Awning
OK OK	Audio function	Open door phone	Blind
NO Cancel	Listen function	KEY OFF Cancel door phone	Heating
+ Forward	Intercom function	Messages	Thermostat
- Backward	Clock	SOS SOS Alarm	Relay
Menu key	Timer	Fire alarm	Press the key
Menu exit key	Alarm clock	Gas alarm	Hold the key
Turn the volume up	Carillon	Flooding alarm	Long key press <i>(it appears below the symbol for instance, the intercom function)</i>
Turn the volume down	Talk	Intruder alarm (1 and 2)	
General function	Listen	Miscellaneous	

Services

ACOUSTIC SURVEILLANCE / BABYPHONE

Your control unit will allow you to surveil the zone in which it is installed, so you can check if your baby is quiet or a sick relative needs help.

REMOTE CONTROL

Your system will allow the remote control of the external audio source (IR Link output, IR remote control to turn on/off the user's audio equipment from any room with an in-wall control unit installed, using **40130** and **40100** remotes or the audio equipment remote).

CLOCK

The control units of the installation display the time in stand-by mode.

ALARM CLOCK

The control unit comes with an in-built alarm clock, which can be used by connecting the system at a specific time or activating the buzzer.

INTERCOM

DOMOS2 system allows you to communicate with any zone from any room of the installation.

BELL

All **DOMOS2** central units can be easily connected to the doorbell, so a tone will be generated through the whole **EGi** installation when the doorbell rings. Run potential-free direct conductors from the push button of the house to wire the doorbell connector. Do not put in parallel with the buzzer. When the door bell rings, a melody will be played in those zones of the installation in which this service is activated.

CARILLON

Using this service, a musical carillon will play its tune every quarter-hour, half-hour or hour for the whole installation.

DOOR PHONE

DOMOS2 Door phone function will allow you to answer and open the door when receiving a call. You may connect to the installation up to 3 different doors (PORT 1, PORT 2, PORT 3).

TIMER

The control unit with built-in timer will automatically turn off the system after a maximum time limit of 59 minutes (time limit for **40230** and **40240** control units is fixed at 30 minutes).

DO NOT DISTURB FUNCTION

You may activate the DO NOT DISTURB function to mute any communication from the bell, entry phone or intercom in the zone where the control unit is installed.

MESSAGE RECORDER FUNCTION

Control units of ref. **40250**, **40260**, **40270** or **40280** have been upgraded with the message function. Using this service, you may record a voice message (max. 20 seconds).

DOMOTIC FUNCTIONS (DOMOTIC SCENES & LIGHTING ATMOSPHERES)

40270 and **40280** control units will enable you to control the connection or disconnection of home electrical appliances, local thermostat, rolling up/down the awnings and pulling up/down the blinds.

You will also be able to combine these devices in order to activate/deactivate them simultaneously at your choice, by just pressing one button (domotic scenes).

40620 – 40550 Modules will enable you to adjust different light intensities and control up to 4 lamps at the touch of a button.

THERMOMETER AND THERMOSTAT

40270 and **40280** Control units can display interior and exterior temperature (with **40530** module) and control a thermostat in order to reach the desired room temperature.

SOS FUNCTION

You may alert about a dangerous situation or someone in need of help by pressing the in-wall control unit or remote control.

INSTALLATION CONTROL THROUGH TELEPHONE

You may control your installation remotely from any mobile or fixed telephone using **40520** module.

Compatibility charts

	basic						medium				top		2 nd home
	b1	b2	b3	b4	b5	b6	m1	m2	m3	m4	t1	t2	
central units (for DIN rail)													
40010				●		●							
40020								●	●				
40040										●		●	
40050					●		●						
40060											●		
central units (for ø60 mm box)													
40070	●	●	●										
40080			●			●							
40090		●	●										
40200									●			●	
control units													
40230	●	●	●	●	●	●		●					
40240	●	●	●	●	●	●							
40250							●	●	●	●			
40260							●	●	●	●			
40270											●	●	
40280											●	●	
auxiliary modules													
40140								●	●	●		●	
40150												●	
40160												●	
40410								●	●	●	●	●	
40425												●	
40510										●		●	●
40520												●	●
40530												●	
40550											●	●	
40610										●		●	●
40620											●	●	
40650												●	
power supplies													
40710							●	●	●	●	●	●	
40730							●	●	●	●	●	●	●

		b1	b2	b3	b4	b5	b6	m1	m2	m3	m4	t1	t2	2 nd home
services														
Audio programs	1 / 2 / 3	1	1	3	1	3	2	1	1	2	2	3	3	
Clock			●	●	●	●	●		●	●	●		●	
Intercom			●	●	●	●	●		●	●	●		●	
Surveillance/Babyphone			●	●	●	●	●		●	●	●		●	
Remote control		●	●	●	●	●	●	●	●	●	●	●	●	
Headphones						●	●		●	●	●		●	
Bell					●	●	●	●	●	●	●	●	●	
Door phone							●		●	●	●	●	●	
Message								●	●	●	●	●	●	
Zone name	KITCHEN							●	●	●	●	●	●	
Intruder alarm											●		●	●
Domotic functions											●		●	●
LIGHTING atmospheres												●	●	
Home control													●	●
GSM	GSM												●	●
GPS clock and exterior temperature													●	

Table of contents

Simbols and services		
	Simbols and services	3
Compatibility charts		
	Compatibility charts	4
Cables and technical data		
	Limits. Cables, terminal block and connections	6
Examples of installations		
	Examples of installations	8
Installation start-up		
	Installation start-up	27
Features and connection diagrams		
40710, 4720, 4730	Power supplies	32
40425, 40430	Audio power stages	33
40010, 40050, 40020, 40040, 40060	Central units (<i>for DIN rail mounting</i>)	35
40070, 40080, 40090, 40200	Central units (<i>for ø60 mm box</i>)	36
40230, 40240, 40250, 40260, 40270, 40280, 40620	Control units	39
40100, 40130	Remote controls	41
40410, 40420, 40520, 40530, 40580	Interface modules	42
40140, 40150, 40160, 40610	Auxiliary modules (<i>for ø60 mm box and tabletop</i>)	45
40510, 40560, 40561, 40540, 40640, 40550	Auxiliary modules (<i>for DIN rail mounting</i>)	48
40630, 40650, 40660	Other auxiliary modules (<i>for flush-mounting box</i>)	51
G13U/16, G28N/16, G14A/16, G17F/16, G18F/16	Loudspeakers	52
1801/xx, 1802/xx, 40810, 40820	Front trims	54

Limits

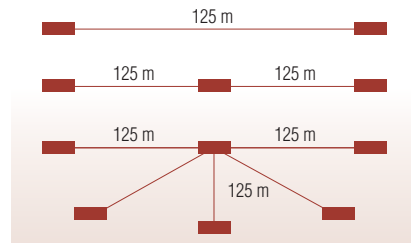
LINE LENGTH

The maximum line length is determined by the voltage drop along the cable. To determine whether or not there is enough voltage in the module, voltage between **2** and **0** wires must be over 12 volts. The voltage drop for **40180** and **40181** cables is based on the following formula:

$$dV = S \times L \times I$$

Where: **L** means the length of the cable,
S means the conductor section; and
dV means the voltage drop measured in volts, which must be under 3.

The maximum length of the BUS must be 125 m. If you need more cable length, make a "star-shape" installation.



INSTALLATION ELEMENTS

The maximum number of modules supported by an installation will depend on their individual consumption. This consumption will determine the type of power supply. The intensity along the cable will limit the length of the line, according to the formula of the previous section "LINE LENGTH". The maximum permissible intensity of the power supply cables (**2** and **0**) is 7 A.

central unit (for DIN rail)	consumption	control units	consumption	auxiliary modules	consumption
40010	47 mA	40230	110 mA	40140	10 mA
40020	107 mA	40240	136 mA	40610	55 mA
40040	110 mA	40250	100 mA	40640	160 mA
40050	65 mA	40260	113 mA	40660	160 mA
40060	150 mA	40270	116 mA	40150	40 mA
		40280	129 mA	40510	175 mA
		40620	120 mA	40650	160 mA
				40630	160 mA
central unit (for ø60 mm box)	consumption	interface modules	consumption		
40070	47 mA	40520	250 mA		
40080	107 mA	40530	50 mA		
40090	110 mA				
40200	65 mA				

MAXIMUM POWER OF THE INSTALLATION

The maximum permissible intensity of the power supply cables (**2** and **0**) is 7 A. Therefore, the maximum power provided by the power supplies will be 105 W.

⚠ Make sure you remember to connect the cases of the EGi elements to the ground wire of the installation.
DOMOS2 equipments must be installed according to the ITC-BT-51 norm on "Installation of automation, energy management, building and home security systems", compliant with the Spanish REBT standard ("Electro-technical Regulations for Low Voltage"), in accordance with RD 842/2002.

Cables

conductor	mm ²	function	voltage	programs
2	1.50	(+) 15 V= Power supply	15 V=	-- --
0	1.50	Ground	0 V	-- --
1	0.25	Intercom data line	Digital signal	Intercom
3	0.25	Intercom audio	3 V audio; +7 V=	Intercom
4	0.25	Audio	3 V audio; +7 V=	1 L
5	0.25	Audio	3 V audio; +7 V=	1 R
6	0.25	Audio	3 V audio; +7 V=	2 L
7	0.25	Audio	3 V audio; +7 V=	2 R
8	0.25	Audio	3 V audio; +7 V=	3 L
9	0.25	Audio	3 V audio; +7 V=	3 R
+R	0.75	Loudspeaker output (+)	3 V audio	-- --
-R	0.75	Loudspeaker output (common)	3 V audio	-- --
+L	0.75	Loudspeaker output (+) + stand-by amplifier	3 V audio; +3 V=	-- --
-L	0.75	Loudspeaker output (common) + stand-by amplifier	3 V audio	-- --

⚠ WARNING:
Please be very cautious when connecting the **BUS**.
The colours used to distinguish the conductors do not correspond to the colours used in the previous **DOMOS** series.

Cables, terminal block and connections



40180
10-Conductor twisted cable.
Isolation: 450/750 V.
NOTE: Use ø16/23 mm corrugated tube.



40181
10-Conductor twisted cable with cover.
Isolation: 450/750 V.
NOTE: Use ø16/23 mm corrugated tube.



40750
2-Conductor parallel cable for loudspeaker.
Isolation: 300/500 V.



40760
3-Conductor parallel cable for loudspeaker.
Isolation: 300/500 V.



40170
Plug-in terminal block for derivation.



40110
IR transmitter cable for remote control.



0501
Wiring to connect audio equipments to a **DOMOS2** system.
Stereo 3.5 mm Jack male to 2 RCA stereo.
1.5 m long.



0502
Wiring to connect audio equipments to a **DOMOS2** system.
2 RCA elbowed male to 2 RCA stereo.
1.5 m long.



0503
Wiring to connect audio equipments to a **DOMOS2** system.
Stereo 3.5 mm Jack male to stereo 3.5 mm Jack male.
2 m long.

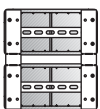
Flush-mounting boxes



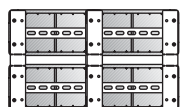
V11F
130 x 265 x 45 mm box.
For central units + power supply in previous **DOMOS** preinstallations. It is also used for **EGi** loudspeaker of ref. **G17F/xx**.



1 x 12M = 12 DIN rail modules wide



2 x 12M = 24 DIN rail modules wide



2 x 24M = 48 DIN rail modules wide

Examples of linked boxes V11F
With the accessories of **EGi** front trims of ref. **40810** and **40820**.
For electronic modules with rail band.
1 x 12M = 12 DIN rail modules wide.
2 x 12M = 24 DIN rail modules wide.
2 x 24M = 48 DIN rail modules wide.



100 x 160 mm Box
Derivation box for 1 room + sound + domotics.
4 relays of ref. **EGi 40540** or alarm relay station of ref. **EGi 40630**.



100 x 100 mm Box
Derivation box for 2 rooms, only sound.
It sets **EGi** terminal block or ref. **40170**.



ø60 mm Box
Flush-mounting box for control units, central units, modules and 2" loudspeaker of ref. **EGi G13U/xx**.



V19A



H28N



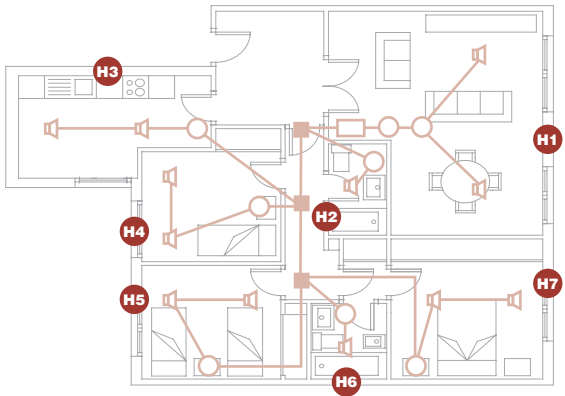
V29A

V19A, H28N and V29A
Flush-mounting box for 5" loudspeaker of ref. **EGi G14A/xx** or loudspeaker with in-built amplifier of ref. **EGi 06011**.



40460
Flush-mounting box for 20 W stereo amplifier+baffle of ref. **EGi 40440** or 80 W stereo amplifier+baffle of ref. **EGi 40450**.

1 audio program

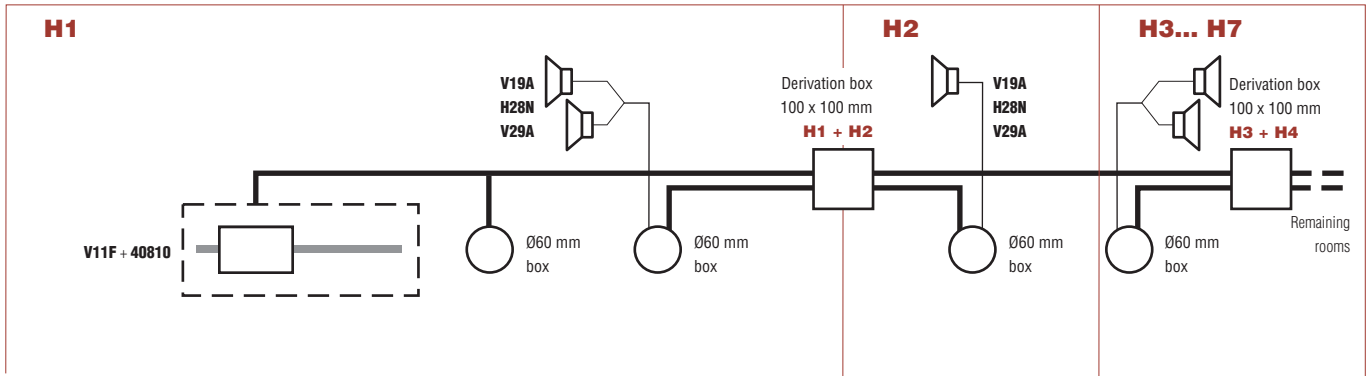


The following installation provides a high quality audio system and additional features. This installation is made up of DOMOS2 basic modules.

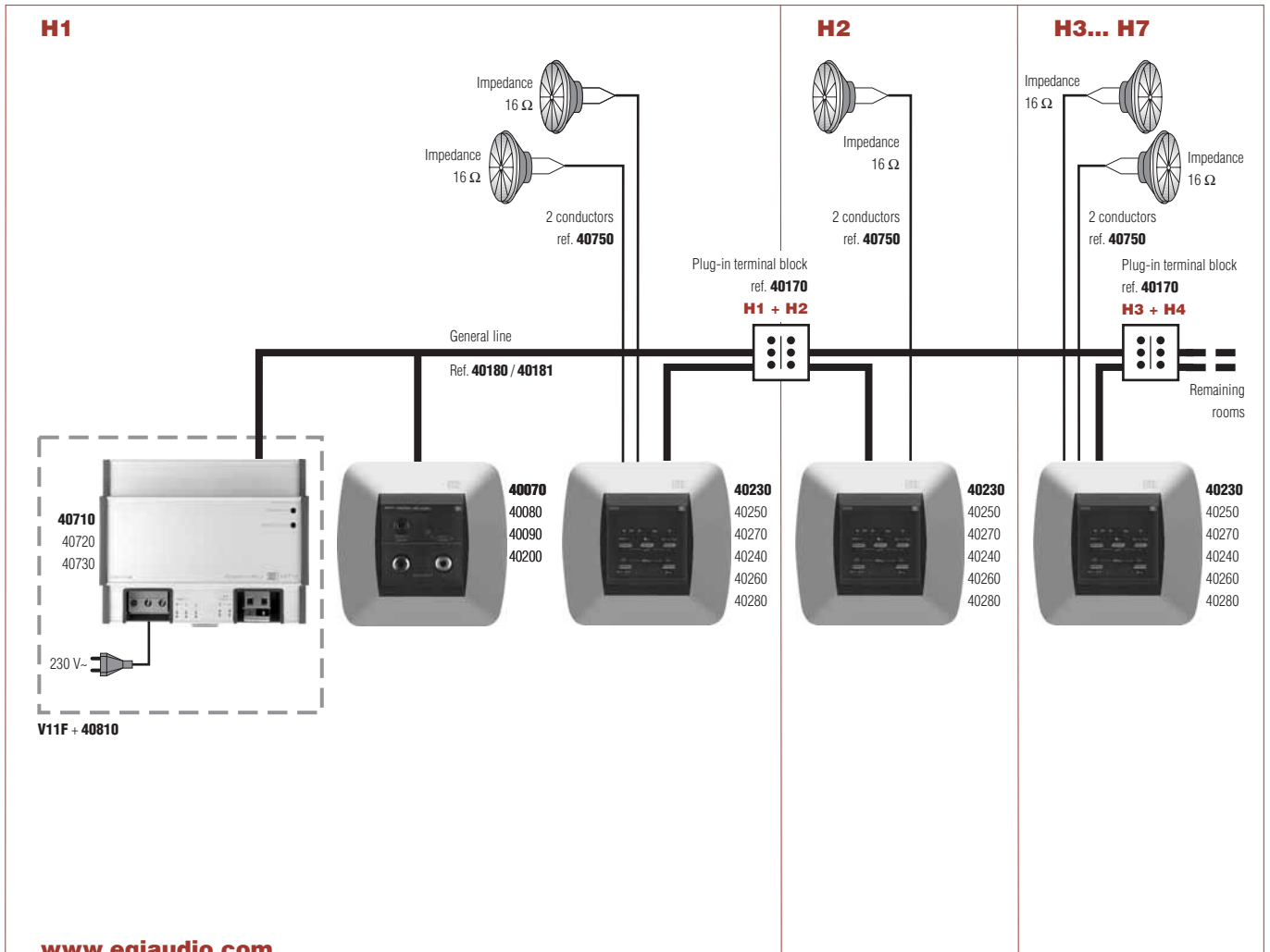
This installation includes control units of ref. 40230 and 40240 (with radio) for ø60 mm flush-mounting box and 40070 central unit (with 1 RCA input) for ø60 mm flush-mounting box. It is necessary to install a power supply 40710 type to supply power to the installation.

This installation features 1 stereo audio program and remote control of the external audio source.

Preinstallation



Installation

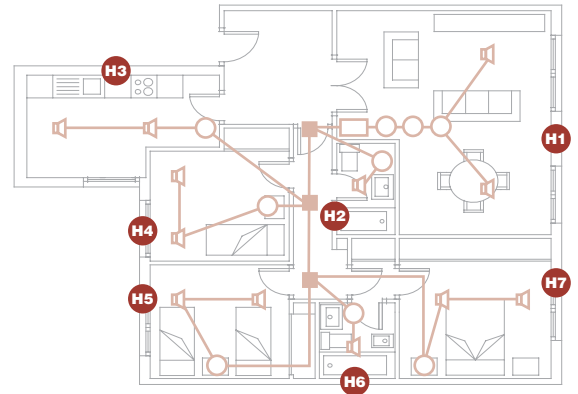


1 audio program + clock

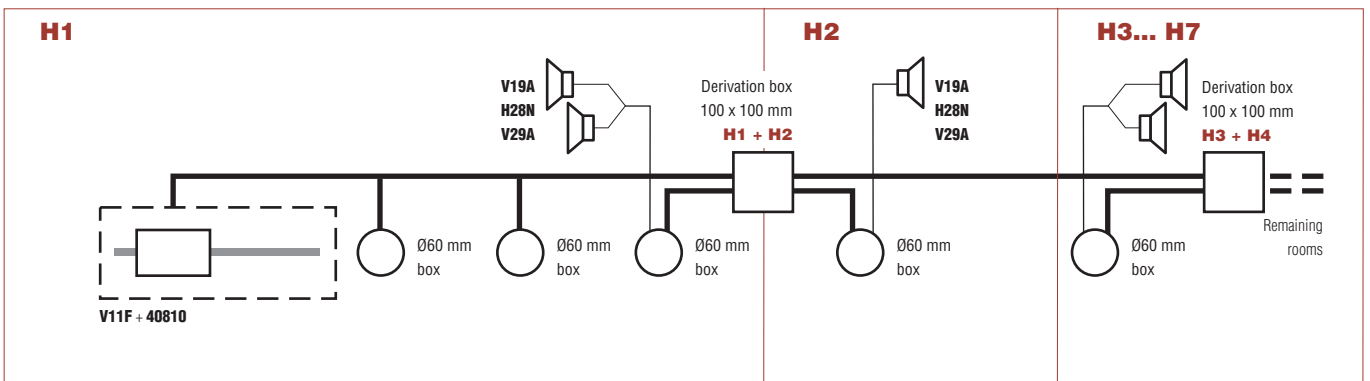
The following installation provides a high quality audio system with masterclock central unit and intecom for the whole installation. It is made up of DOMOS2 basic modules.

This installation includes control units of ref. 40230 and 40240 (with radio) for ø60 mm flush-mounting box; 40070 audio central unit (with 1 RCA input) for ø60 mm flush mounting box and 40090 central unit with clock and intercom (for ø60 mm flush-mounting box). It is necessary to install a power supply 40710 type to supply power to the installation.

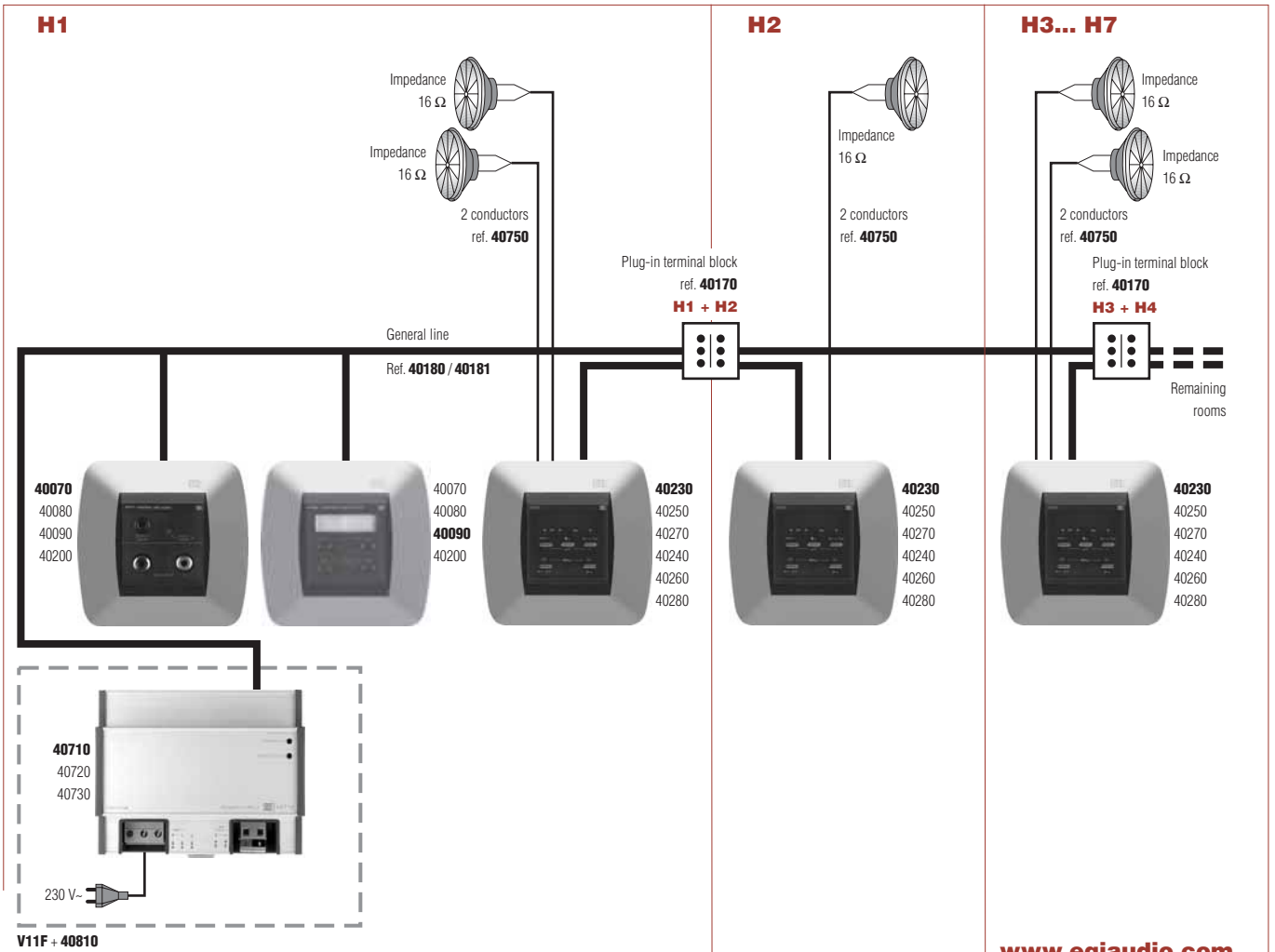
This installation features 1 stereo audio program, remote control of the external audio source, masterclock for the whole installation and room-to-room intercom.



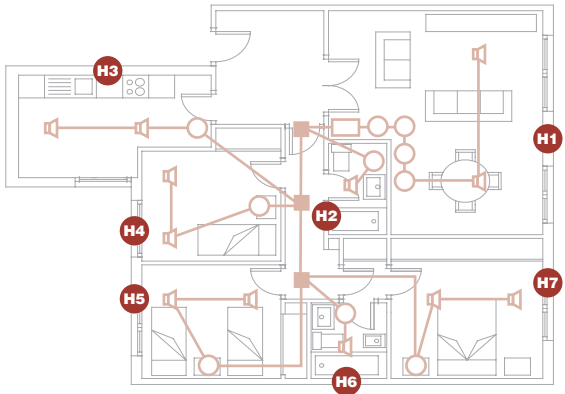
Preinstallation



Installation



10 2 audio programs + clock: 1 stereo audio program + FM

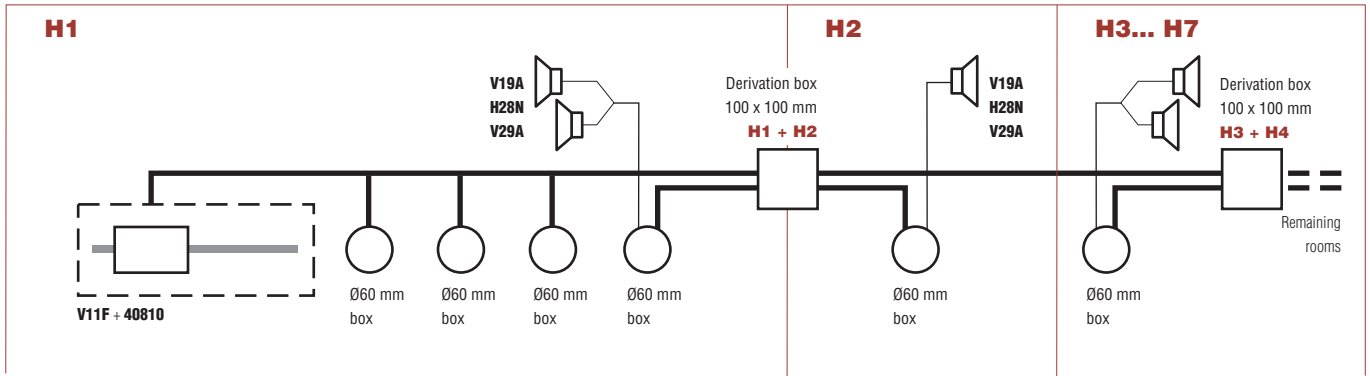


This is the most complete installation based on central units for ø60 mm flush-mounting box. It provides 1 audio program, 1 FM program, masterclock for the whole installation and room-to-room intercom. Should you wish to add another audio program instead of the FM program, replace the 40080 central unit for another 40070 central unit. It is made up of DOMOS2 basic modules.

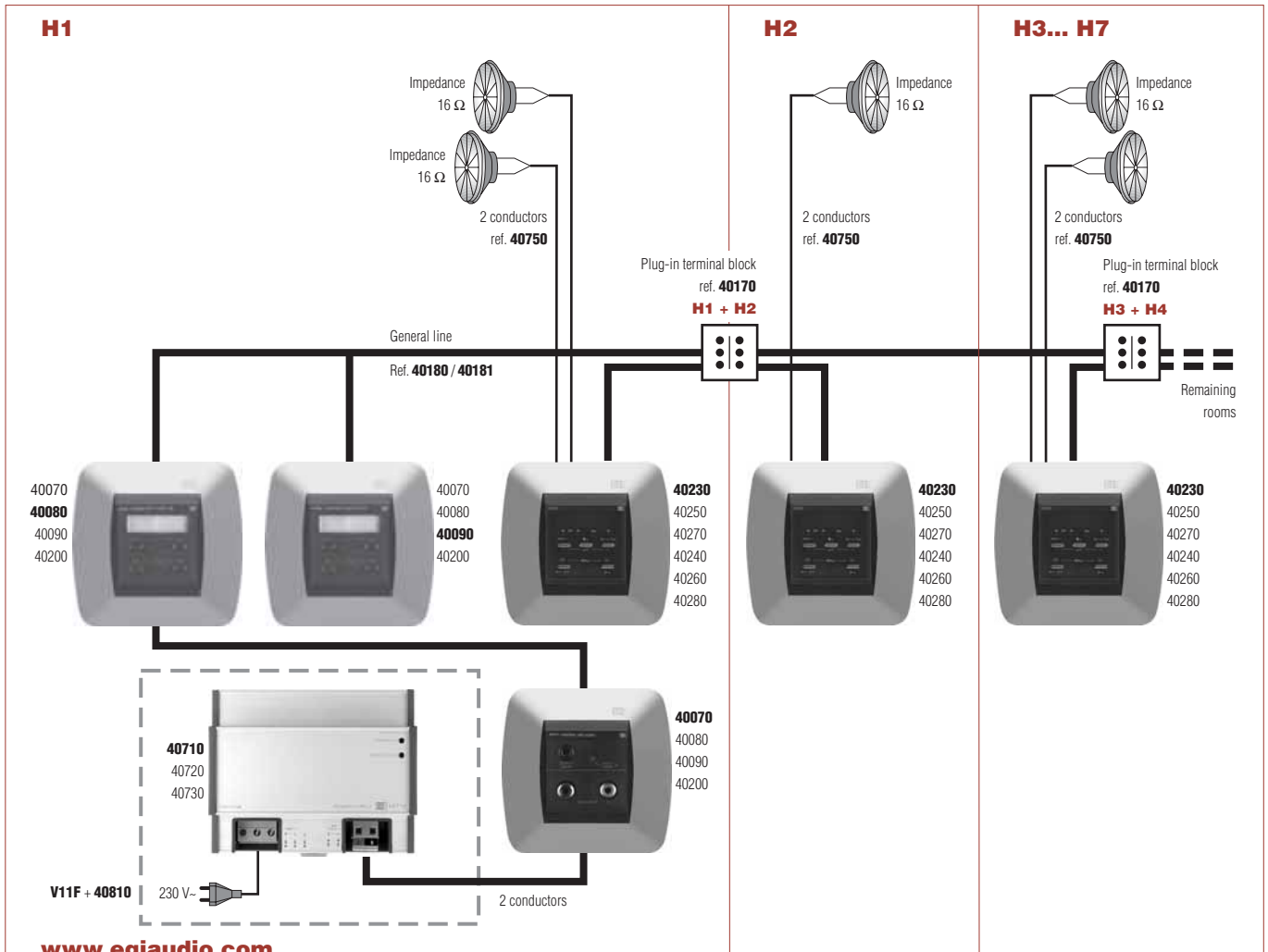
This installation includes control units of ref. 40230 and 40240 (with radio) for ø60 mm flush-mounting box; 40070 audio central unit (with 1 RCA input) for ø60 mm flush-mounting box; 40080 central unit for the FM radio (for ø60 mm flush-mounting box); and 40090 central unit with clock and intercom (for ø60 mm flush-mounting box). It is necessary to install a power supply 40710 type to supply power to the installation.

This installation features 1 stereo audio program, remote control of the external audio source, 1 FM program, masterclock for the whole installation and room-to-room intercom.

Preinstallation



Installation

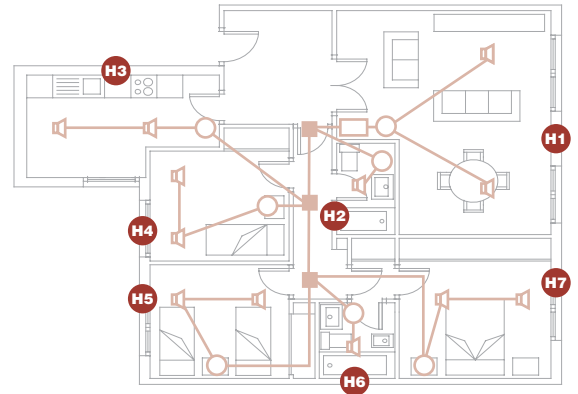


1/3 stereo audio programs + local FM

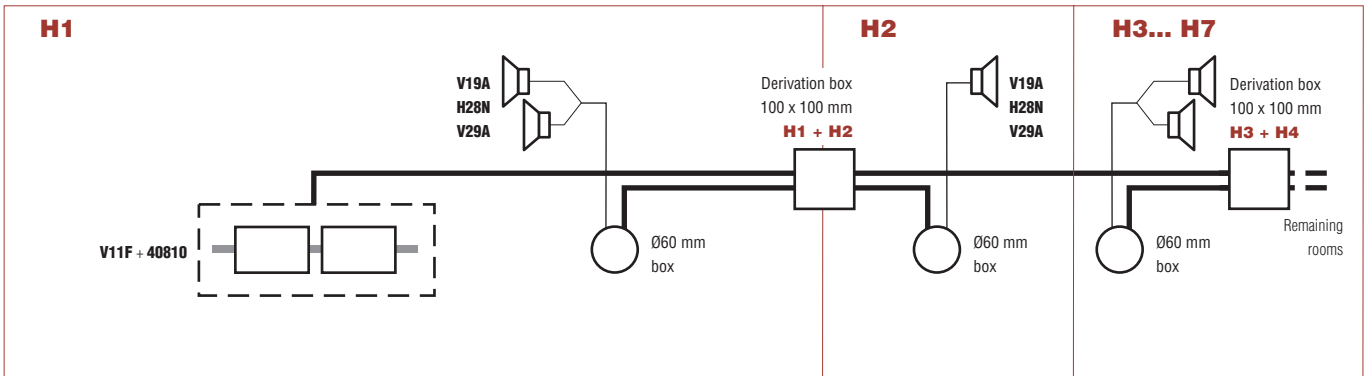
This installation is based on a central unit (40010 - 1 program - or 40050 -3 programs-) and provides 1 or 3 audio programs, masterclock for the whole installation and room-to-room intercom. It also allows the remote control of the audio sources and the connection of the house bell, so it can be listened through the whole installation. It is made up of DOMOS2 basic modules.

This installation includes control units of ref. 40230 and 40240 (with radio) for ø60 mm flush-mounting box.

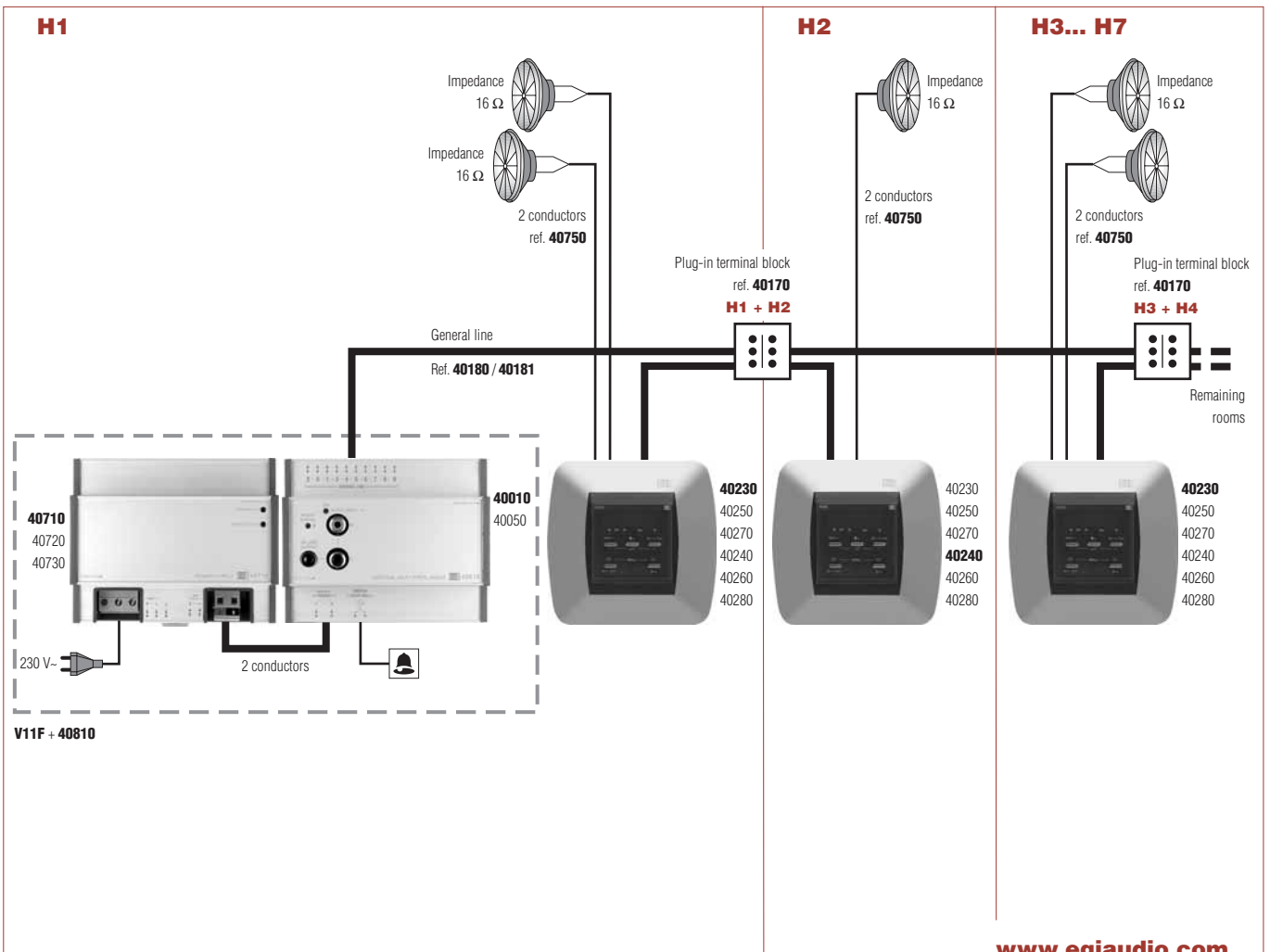
This installation features 1 or 3 audio programs, acoustic surveillance of the rooms / babyphone and intercom.



Preinstallation



Installation



1/2 progr.: 1 stereo audio program + door phone interface + line input/headphones...

This is the most complete installation basic type. It is based on a central unit (40010 – 1 program – or 40050 –3 programs-) and provides 1 or 3 audio programs, masterclock for the whole installation and room-to-room intercom.

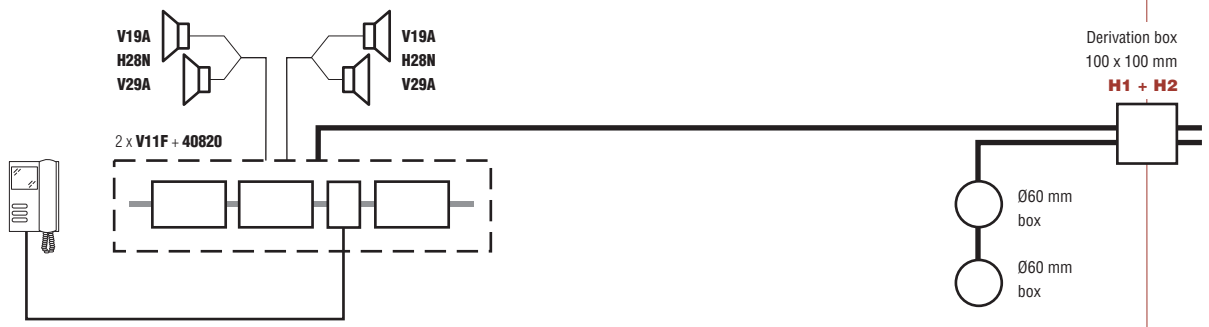
It also allows the remote control of the audio sources and the connection of the house bell, so it can be listened through the whole installation. It also includes 40410 module for door phone connection. This service will allow you to answer and open the door phone from any zone of the installation.

Moreover, it includes an additional FM radio program provided by 40080 central unit. 40140 module is also included in the bedrooms, allowing the connection of an equipment discman type, so you can listen to it through the loudspeakers installed in the room. It also has a built-in headphone jack for individual listening.

40425 audio amplifier has been installed in the living-room in order to give the four loudspeakers more power. This installation features intercom, audio input and headphones output in the rooms.

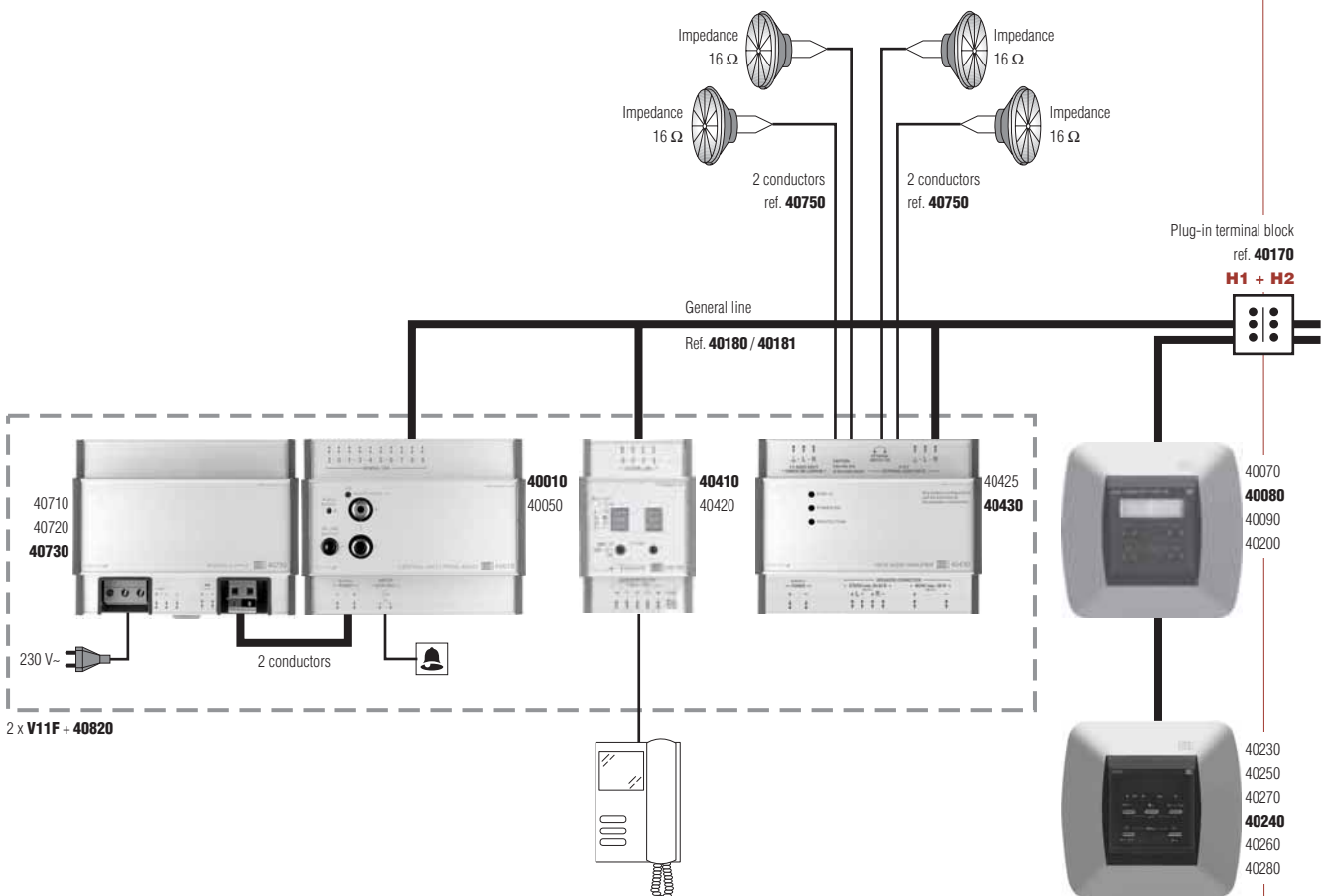
Preinstallation

H1



Installation

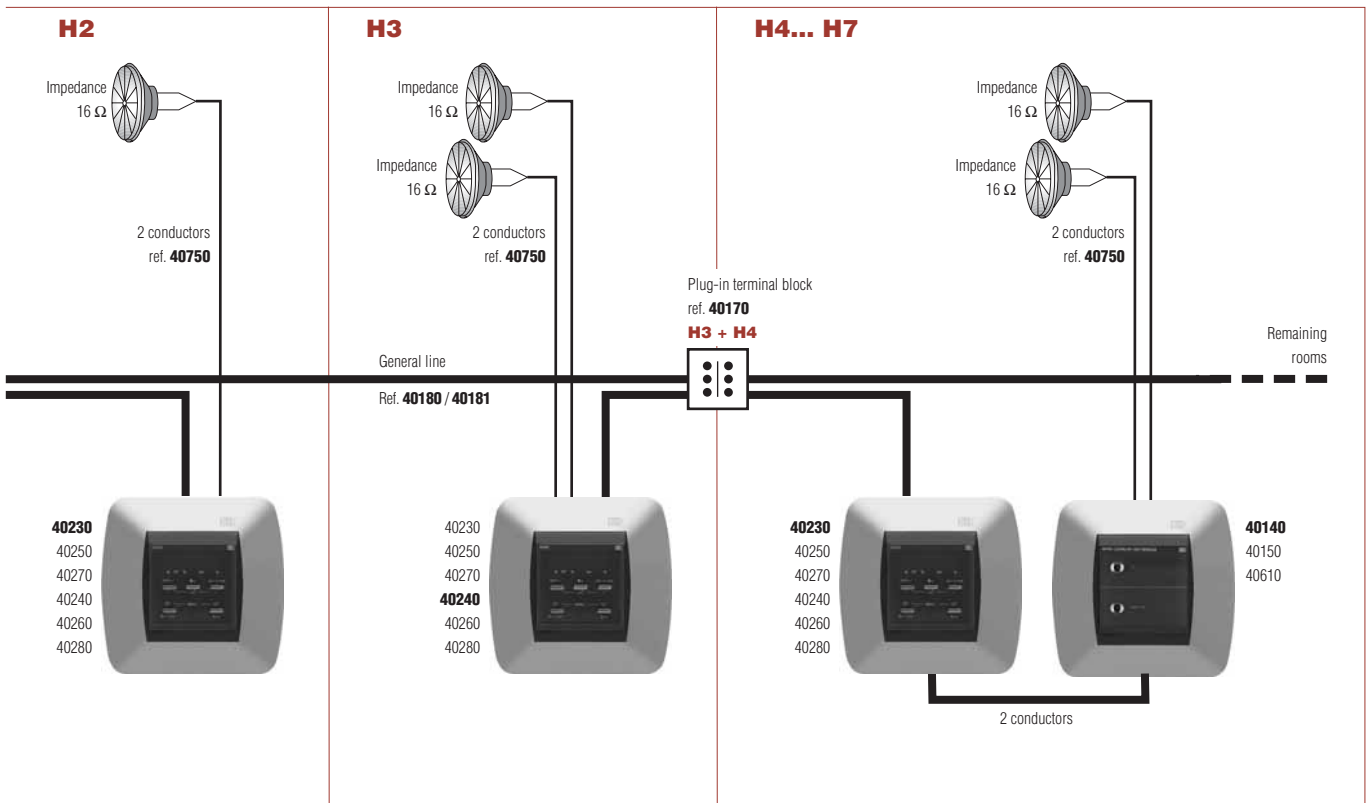
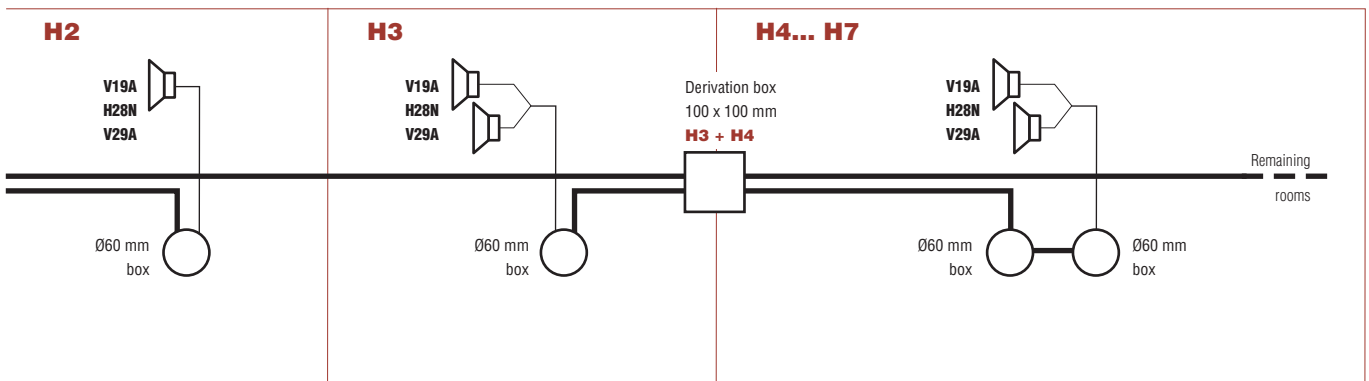
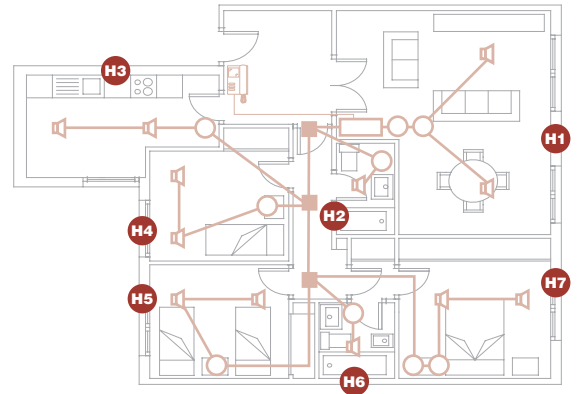
H1



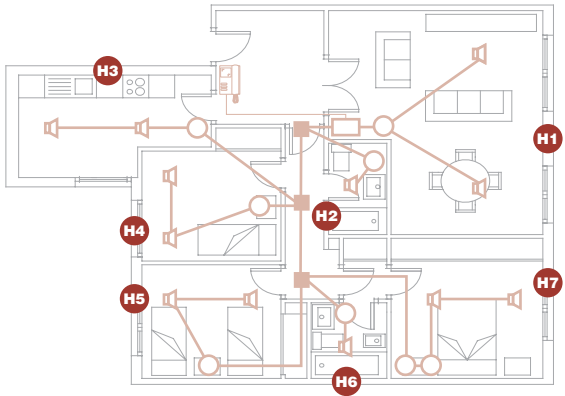
... + amplif. + local FM

This installation includes control units of ref. 40230 and 40240 (with radio) for Ø60 mm flush-mounting box.

This installation features 1 or 3 audio programs, acoustic surveillance of the rooms / babyphone, intercom, audio input and headphones output in the rooms.



14 1/3 audio progr. + local FM + line input/headphones



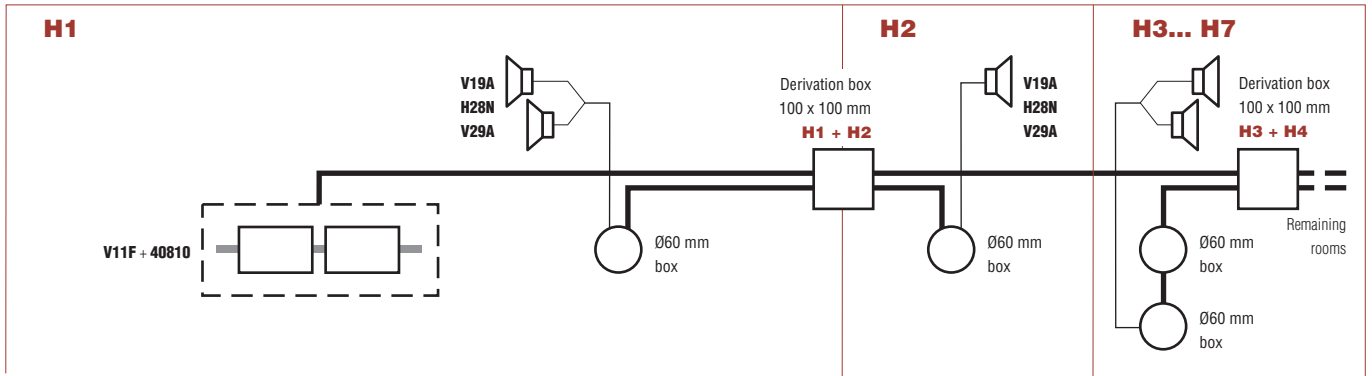
This installation is based on a central unit (40010 – 1 program – or 40050 –3 programs-) and provides 1 or 3 audio programs, masterclock for the whole installation and room-to-room intercom.

It also allows the remote control of the audio sources and the connection of the house bell, so it can be listened through the whole installation. Moreover, 40140 module is also included in the bedrooms, allowing the connection of an equipment discman type, so you can listen to it through the loudspeakers installed in the room. It also has a built-in headphone jack for individual listening.

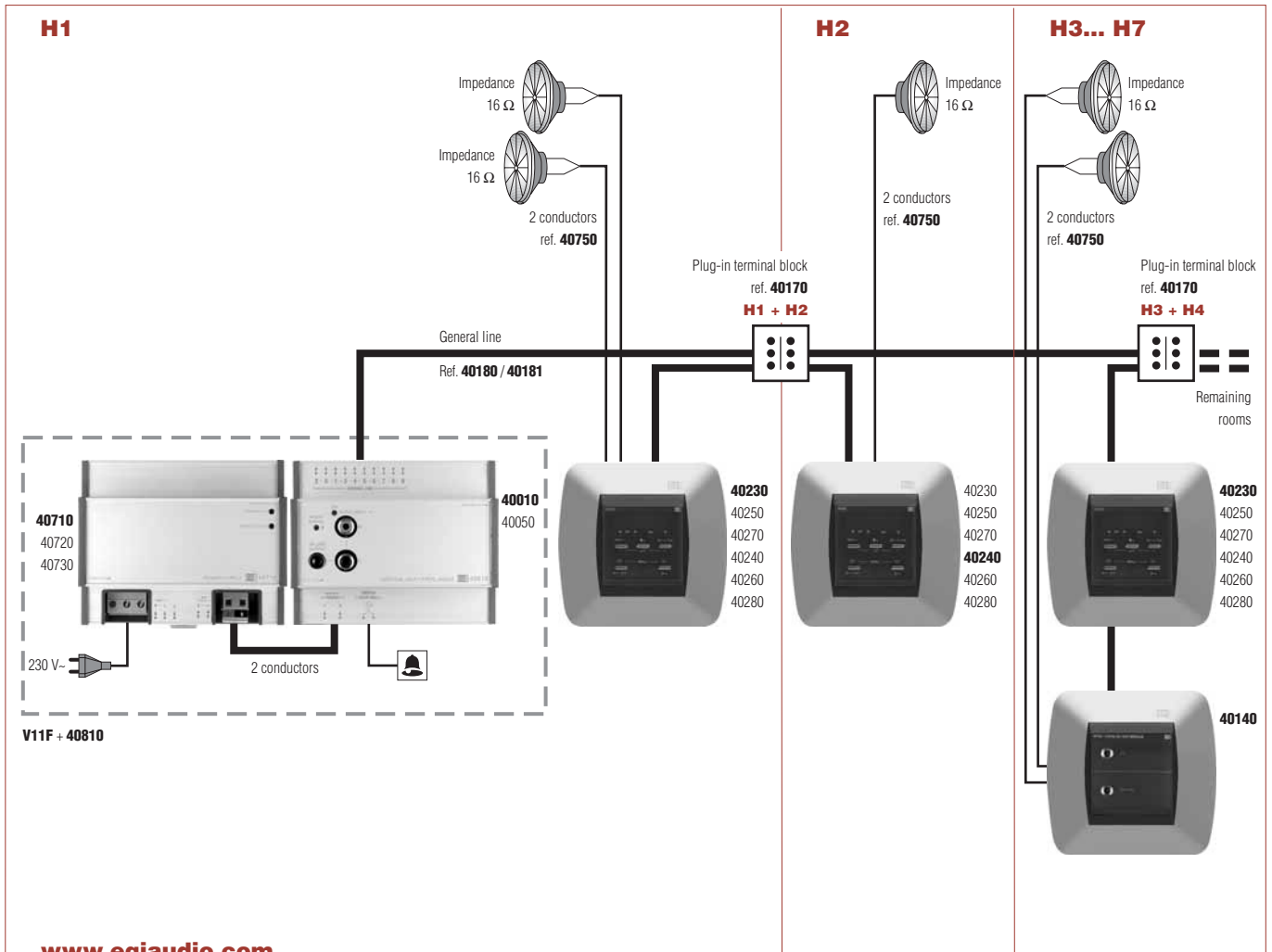
This installation includes control units of ref. 40230 and 40240 (with radio) for ø60 mm flush-mounting box.

This installation features 1 or 3 audio programs, acoustic surveillance of the rooms / babyphone, intercom, audio input and headphones output in the rooms.

Preinstallation



Installation

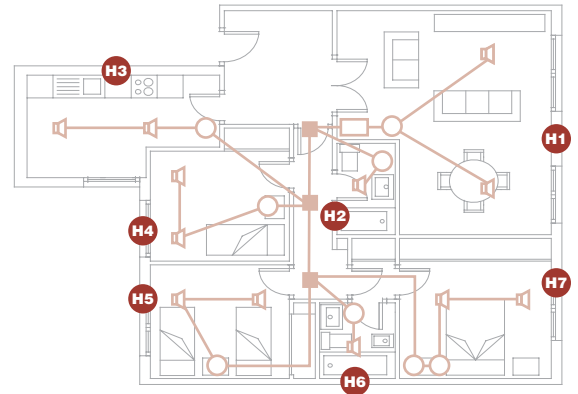


3 audio programs + local FM

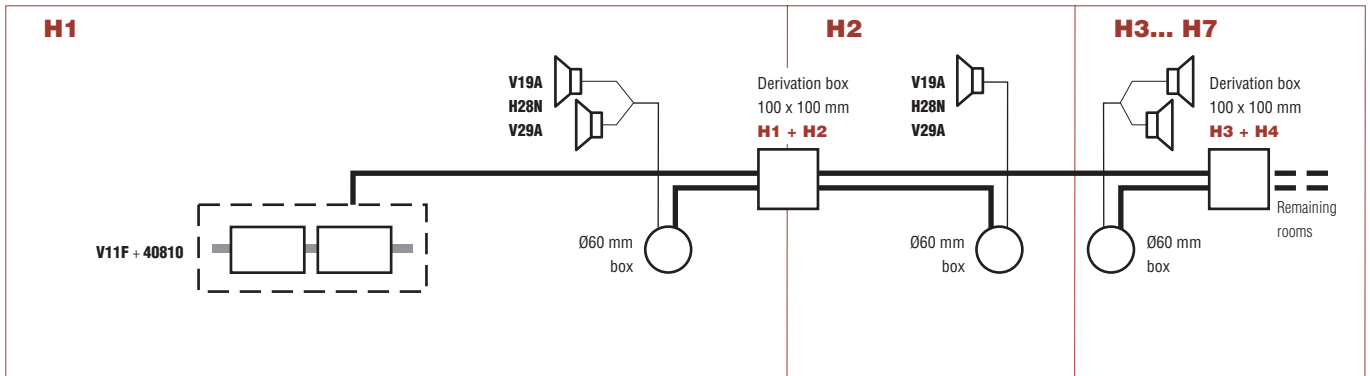
This installation is based on a central unit (40010 – 1 program – or 40050 – 3 programs-) and provides 1 or 3 audio programs, masterclock for the whole installation and room-to-room intercom. It also allows the remote control of the audio sources and the connection of the house bell, so it can be listened through the whole installation. It is made up of DOMOS2 basic modules.

This installation includes control units of ref. 40250 and 40260 (with radio) for ø60 mm flush-mounting box.

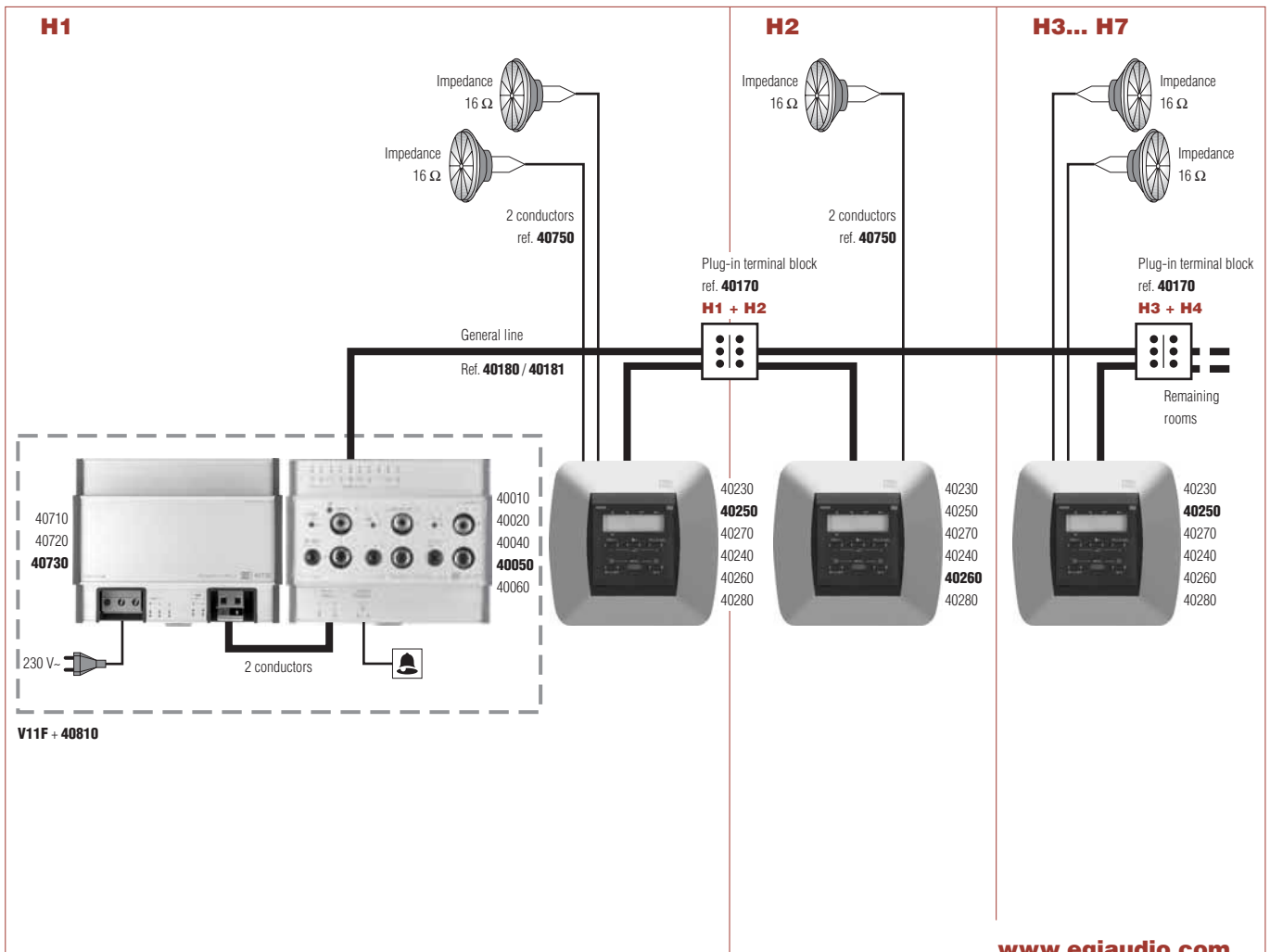
This installation features 1 or 3 audio programs, acoustic surveillance of the rooms / babyphone, intercom and message recorder.



Preinstallation



Installation



16 1 audio program + door phone interface + line input/headphones + local FM

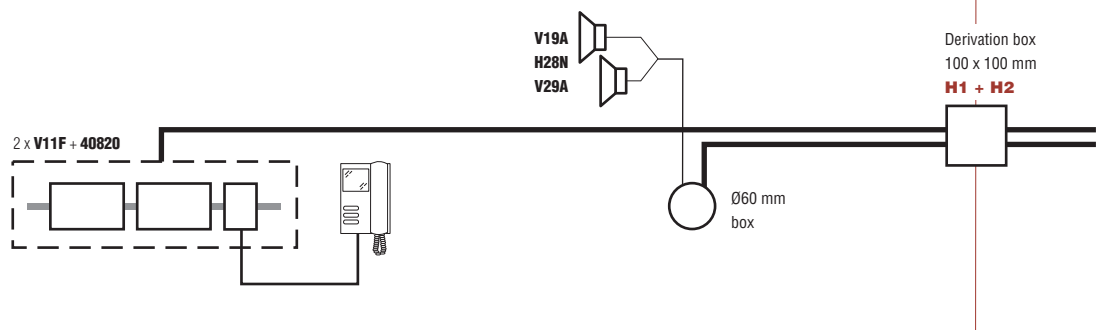
This installation is based on a central unit (40020 – 1 program – or 40040 –2 programs-) and provides 1 or 2 audio programs with FM, masterclock for the whole installation and room-to-room intercom. It also allows the remote control of the audio sources and the connection of the house bell, so it can be listened through the whole installation.

Moreover, 40140 module is also included in the bedrooms, allowing the connection of an equipment discman type, so you can listen to it through the loudspeakers installed in the room. It also has a built-in headphone jack for individual listening.

40410 module will allow you to answer and open the door phone from any zone of the installation.

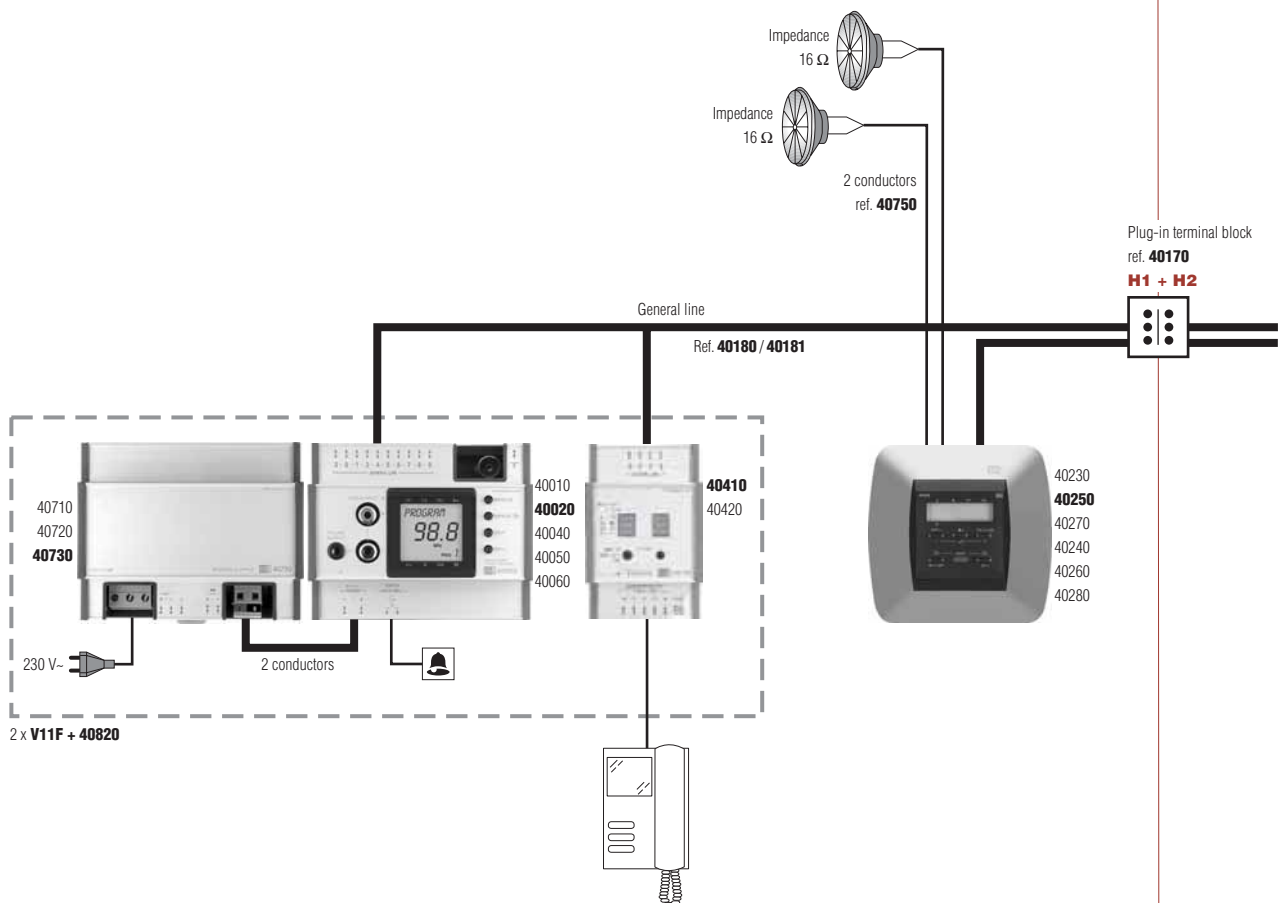
Preinstallation

H1



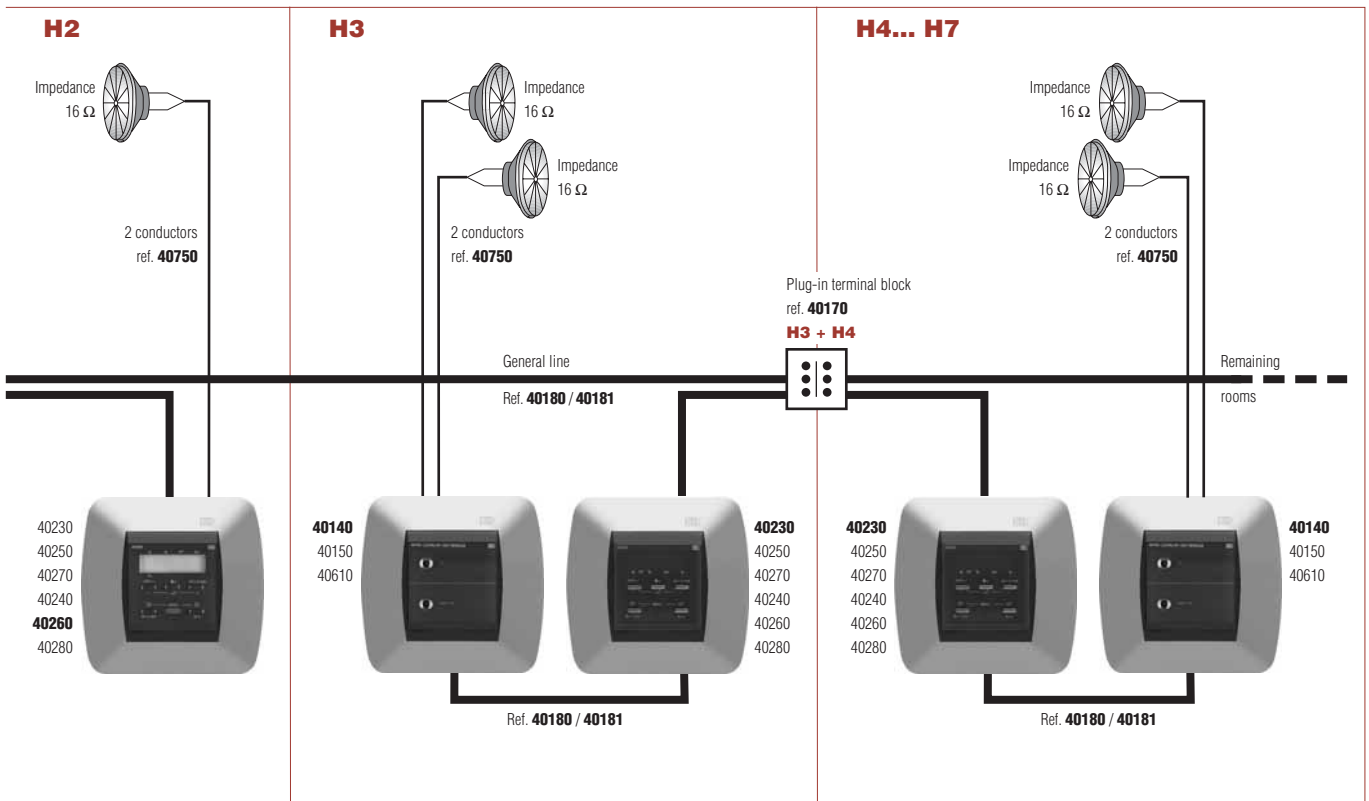
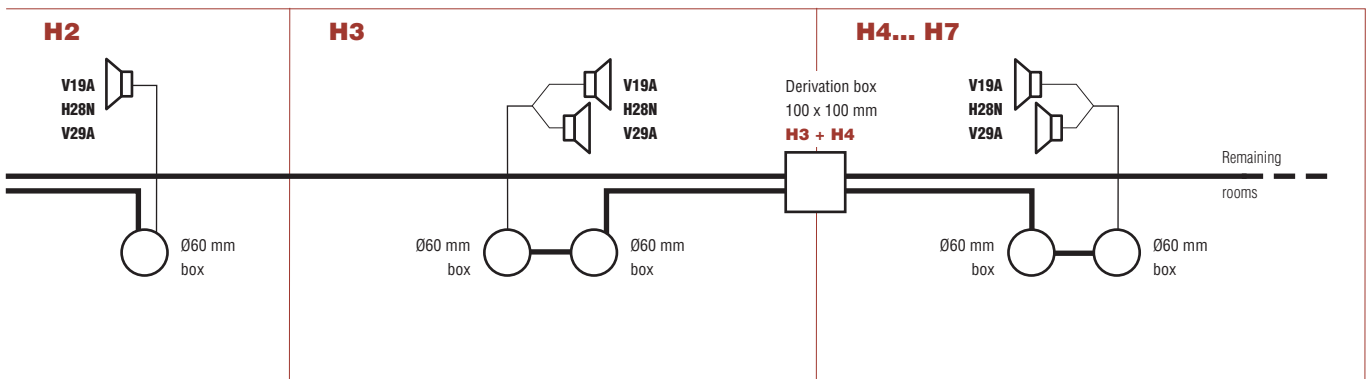
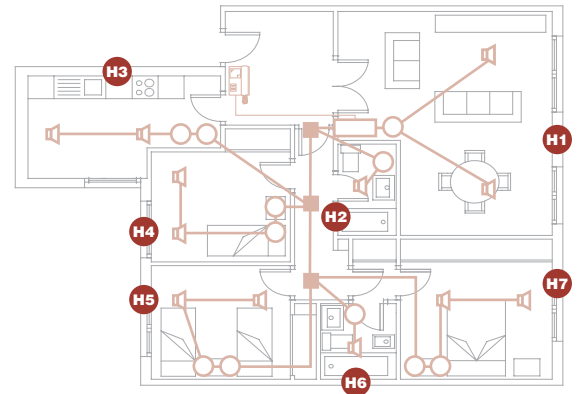
Installation

H1



This installation includes control units of ref. 40250 and 40260 (with radio) for ø60 mm flush-mounting box.

This installation features 1 audio program, acoustic surveillance of the rooms / babyphone, intercom, audio input and headphones output in the rooms and message recorder.



18 3 audio programs + USB + line input/headphones + local FM

This installation is based on a central unit (40020 – 1 program – or 40040 –2 programs-) and provides 1 or 2 audio programs, masterclock for the whole installation and room-to-room intercom.

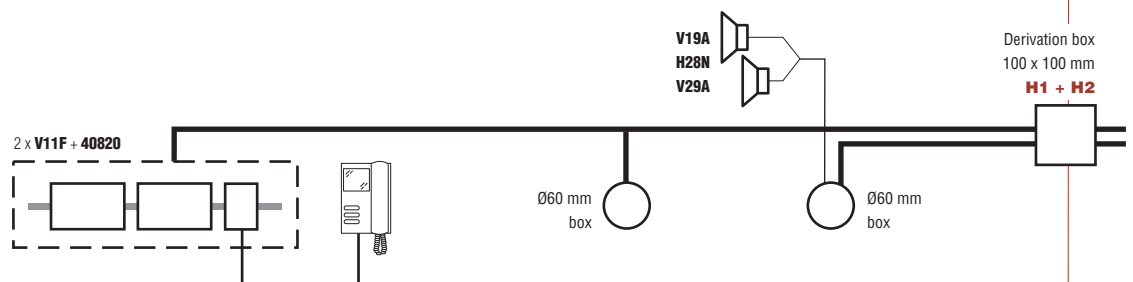
It also allows the remote control of the audio sources and the connection of the house bell, so it can be listened through the whole installation. The system has been upgraded with USB central unit, which provides the installation an additional audio program. Therefore, the installation features 3 programs.

Moreover, 40140 module is also included in the bedrooms, allowing the connection of an equipment discman type, so you can listen to it through the loudspeakers installed in the room. It also has a built-in headphone jack for individual listening.

40410 module will allow you to answer and open the door phone from any zone of the installation.

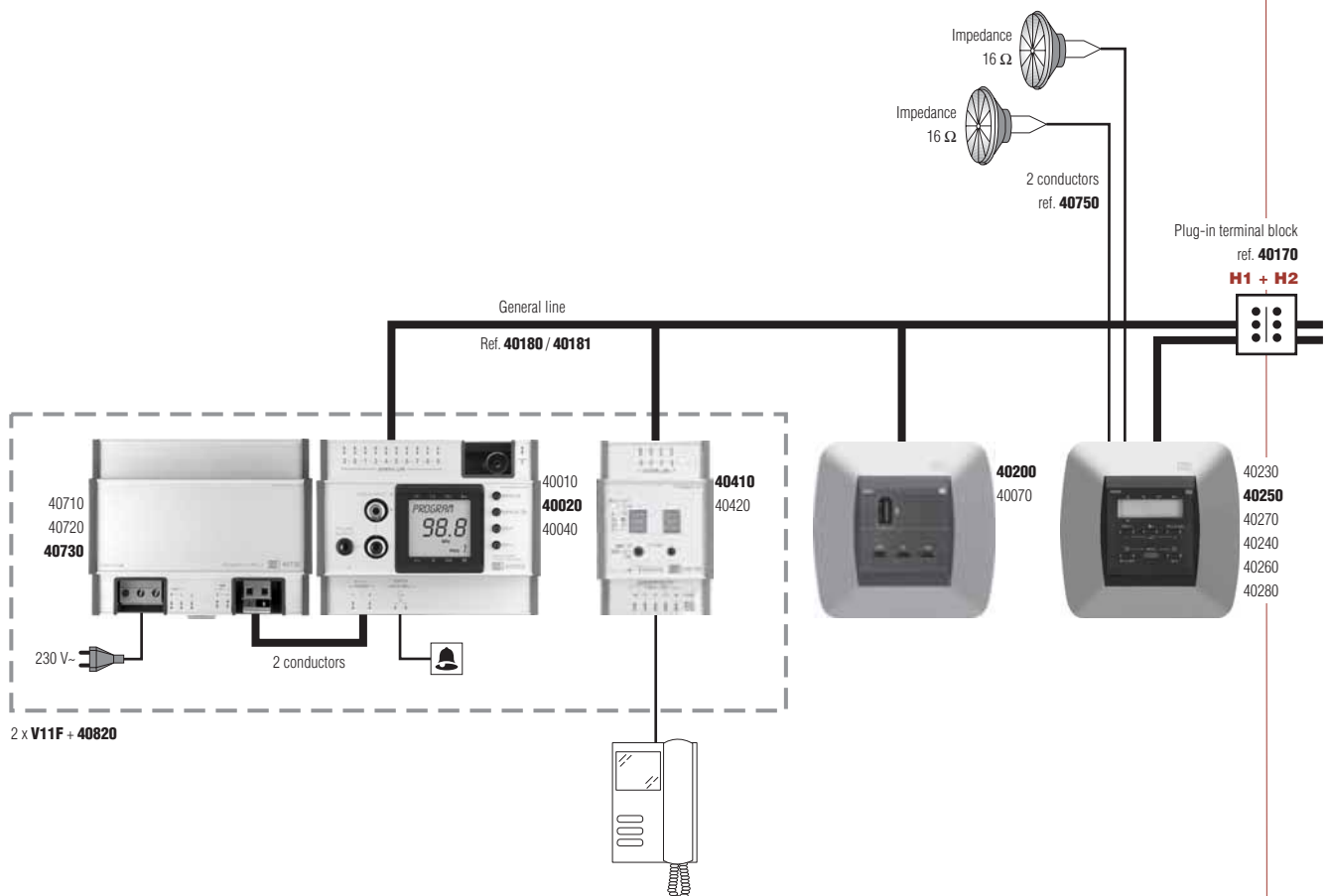
Preinstallation

H1



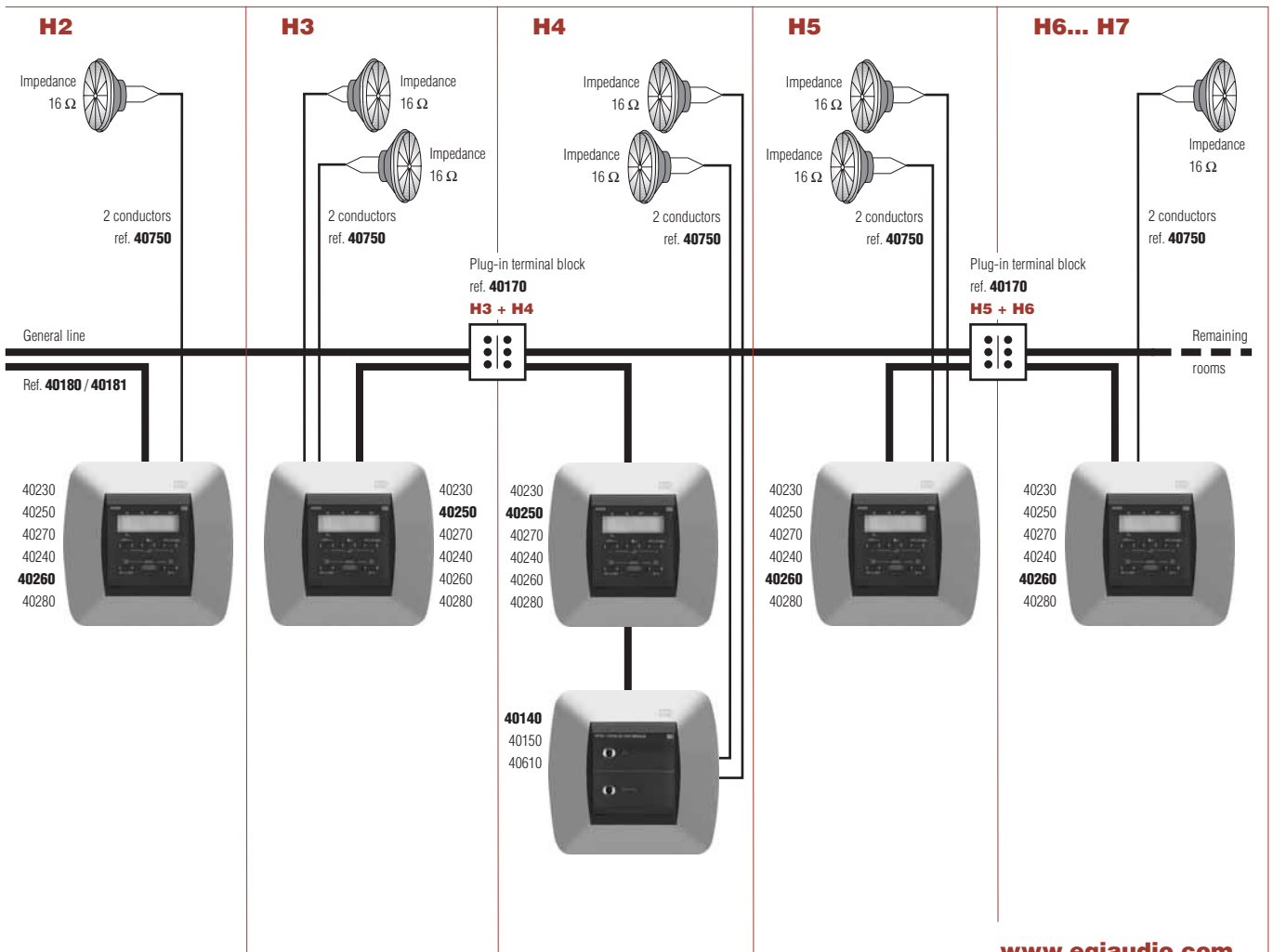
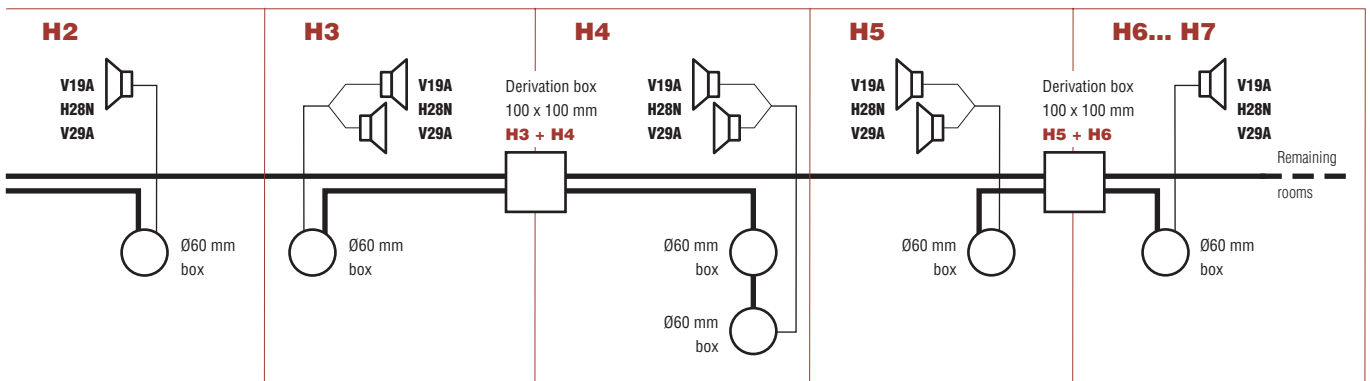
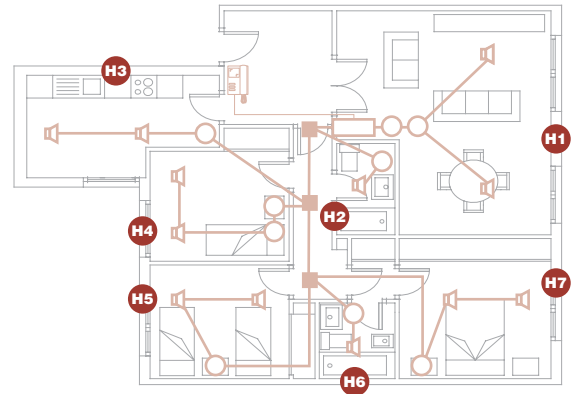
Installation

H1



This installation includes control units of ref. 40250 and 40260 (with radio) for Ø60 mm flush-mounting box.

This installation features 2 or 3 audio programs, acoustic surveillance of the rooms / babyphone, intercom, audio input and headphones output in the rooms and message recorder.



2 audio programs + local FM + door phone + security + domotic central unit

Apart from the audio functions, this installation includes domotic services provided by 40510 domotic central unit. The audio system is based on a central unit (40020 – 1 program – or 40040 – 2 programs) and provides 1 or 2 audio programs, masterclock for the whole installation and room-to-room intercom.

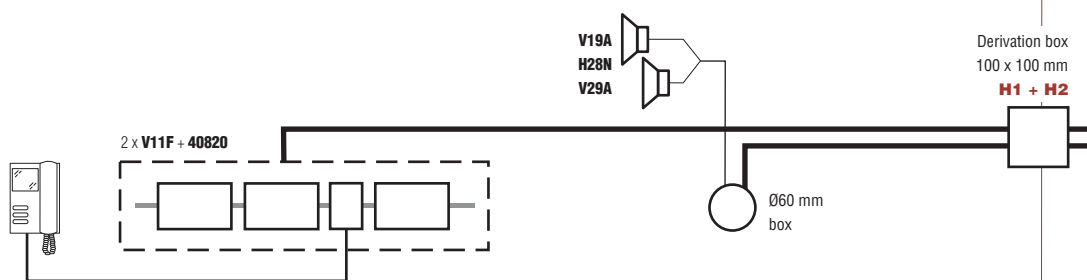
It also allows the remote control of the audio sources and the connection of the house bell, so it can be listened through the whole installation.

Moreover, 40140 module is also included in the bedrooms, allowing the connection of an equipment discman type, so you can listen to it through the loudspeakers installed in the room. It also has a built-in headphone jack for individual listening.

Regarding the domotic system, alarm sensors are managed by the domotic central unit, which can even communicate with the user through 40520 GSM module.

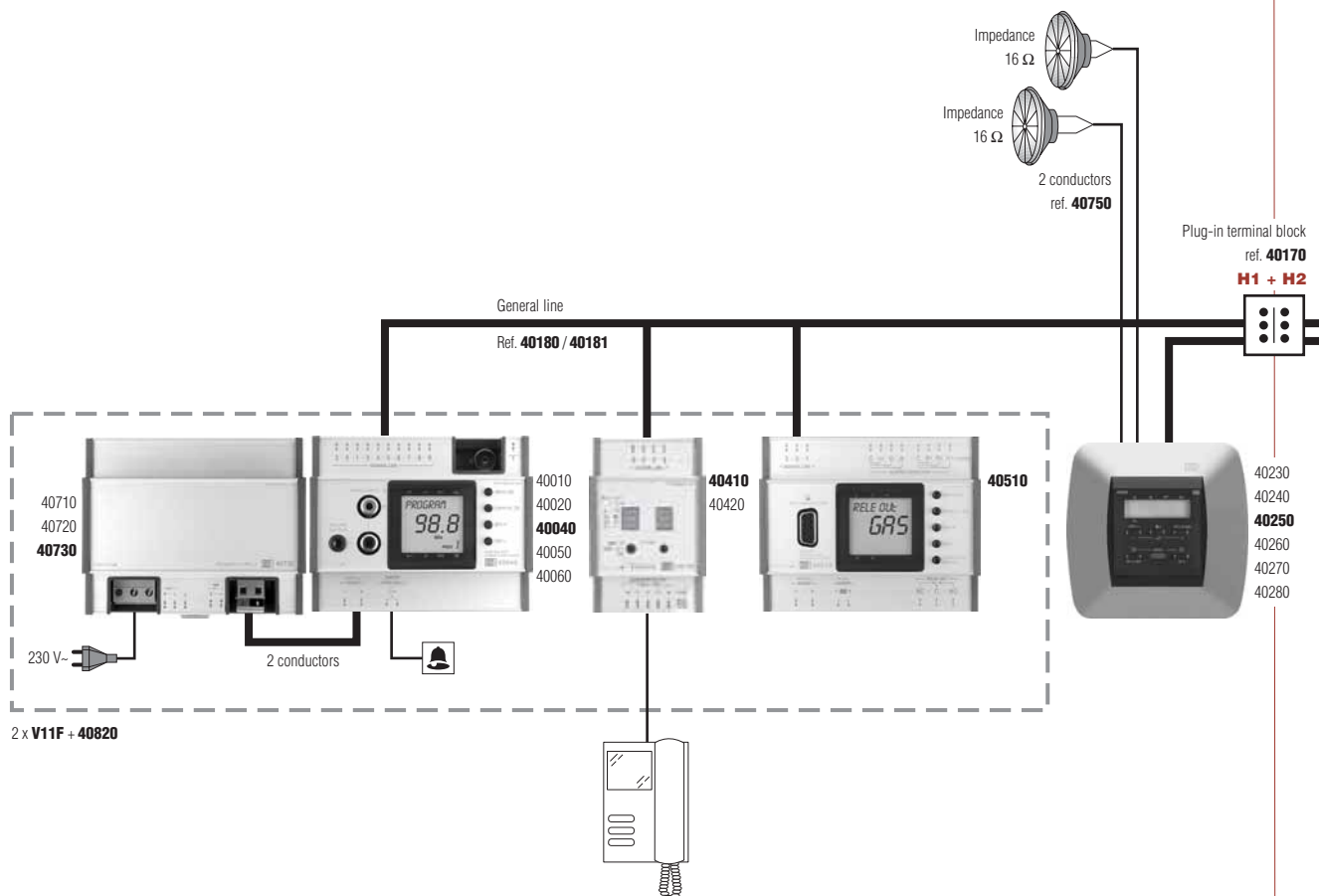
Preinstallation

H1



Installation

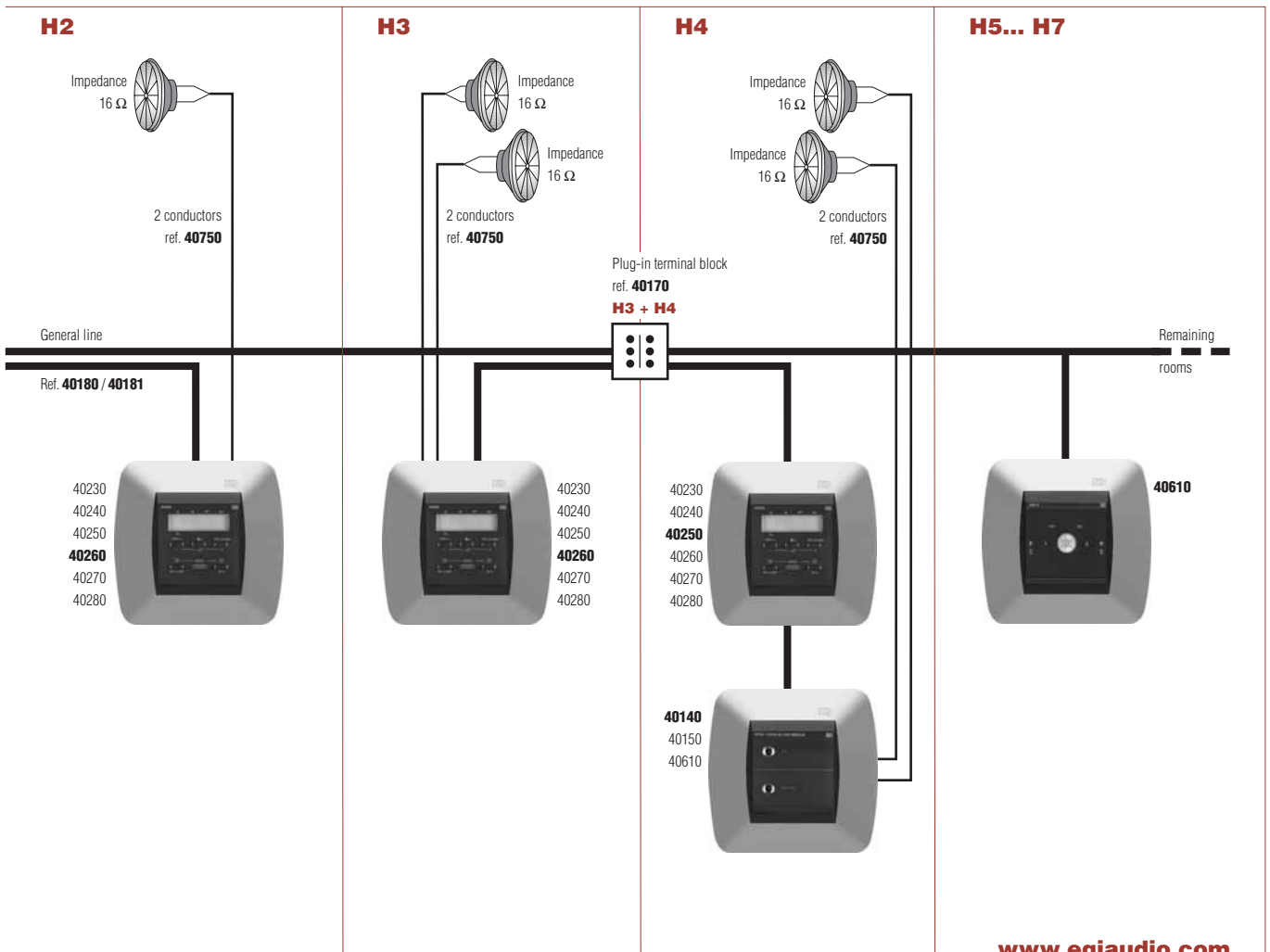
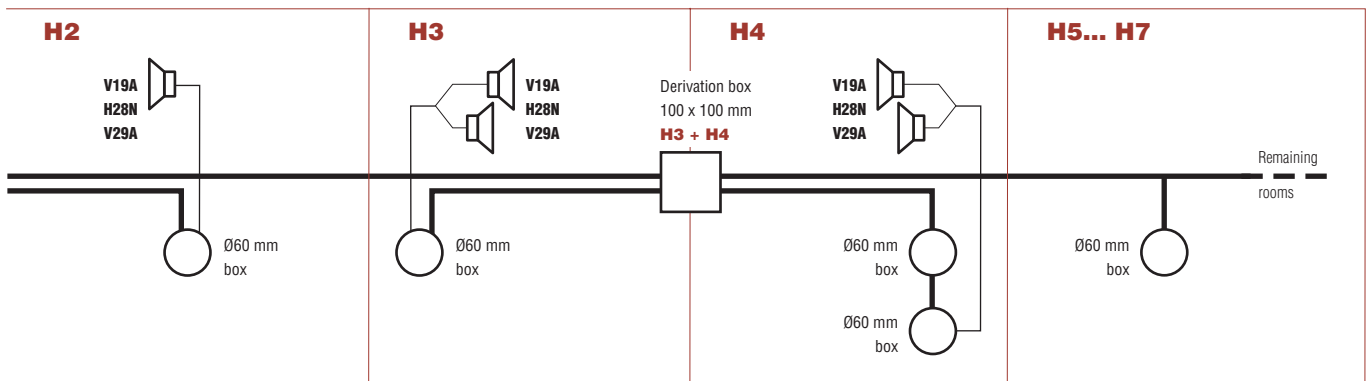
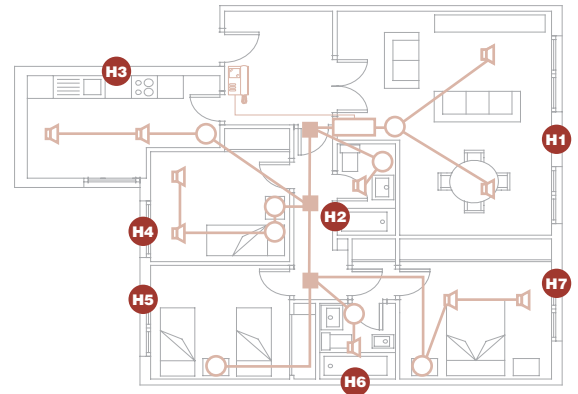
H1



40410 module will allow you to answer and open the door phone from any zone of the installation.

This installation includes control units of ref. 40250 and 40260 (with radio) for ø60 mm flush-mounting box.

This installation features 1 or 2 audio programs, acoustic surveillance of the rooms / babyphone, intercom, audio input and headphones output in the rooms and message recorder.



22 3 audio programs + local FM + door phone + lighting control

This installation is based on a central unit (40040 – 2 programs – or 40060 –3 programs-) and provides 2 or 3 audio programs + FM, masterclock for the whole installation and room-to-room intercom.

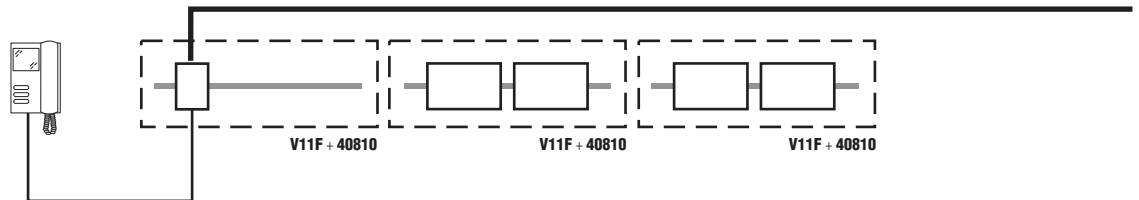
It also allows the remote control of the audio sources and the connection of the house bell, so it can be listened through the whole installation.

40410 module will allow you to answer and open the door phone from any zone of the installation.

The combination of 40620 control unit with 40550 module enables lighting control of a zone or room by configuring lighting atmospheres or controlling luminaires individually (halogen, incandescent or fluorescent lamps).

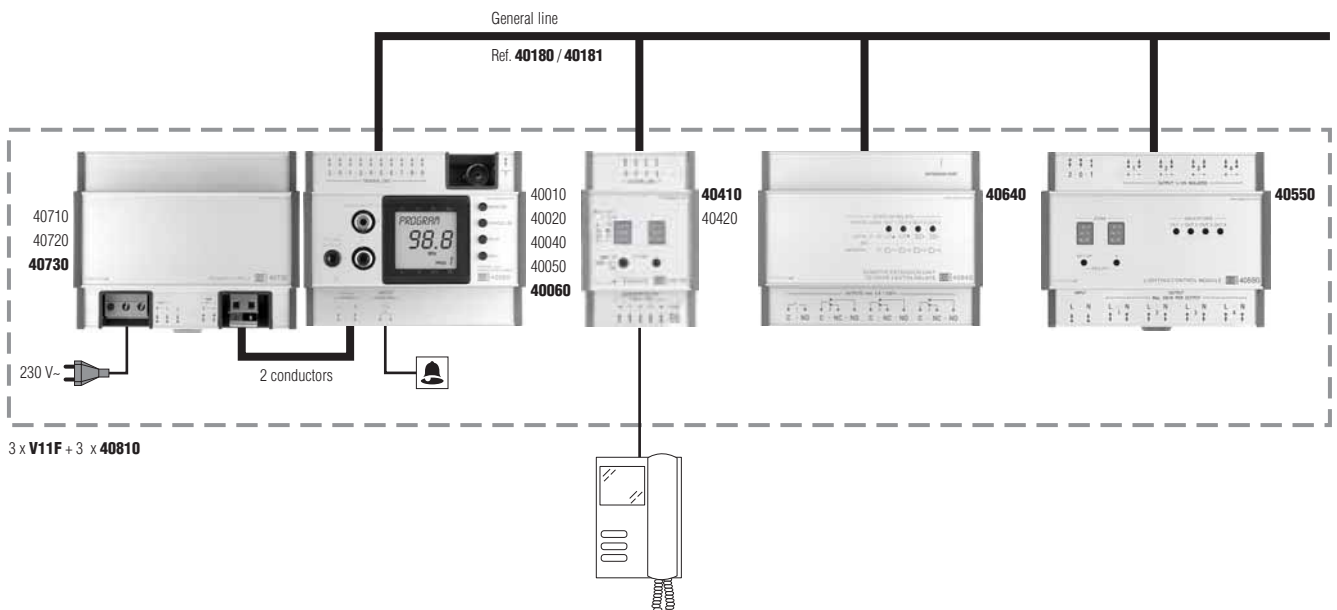
Preinstallation

H1



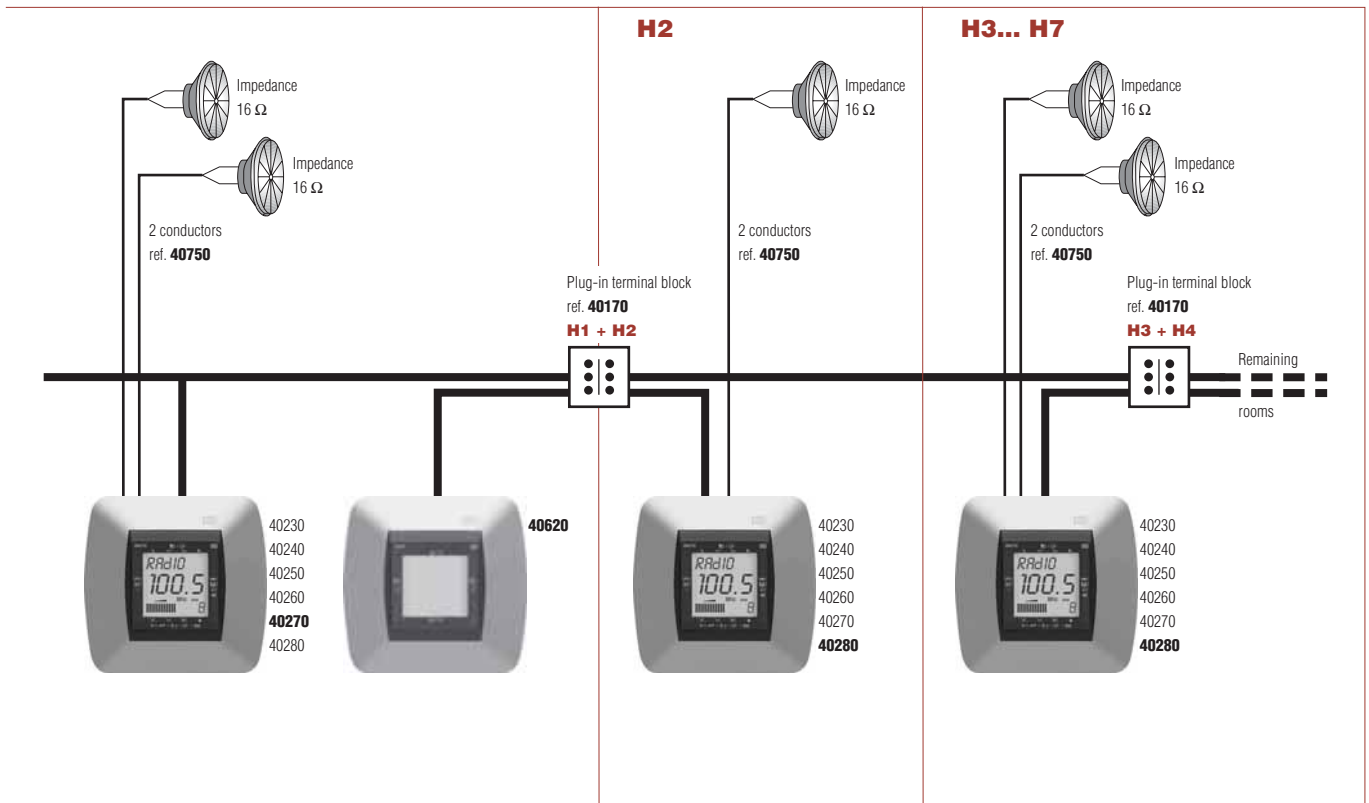
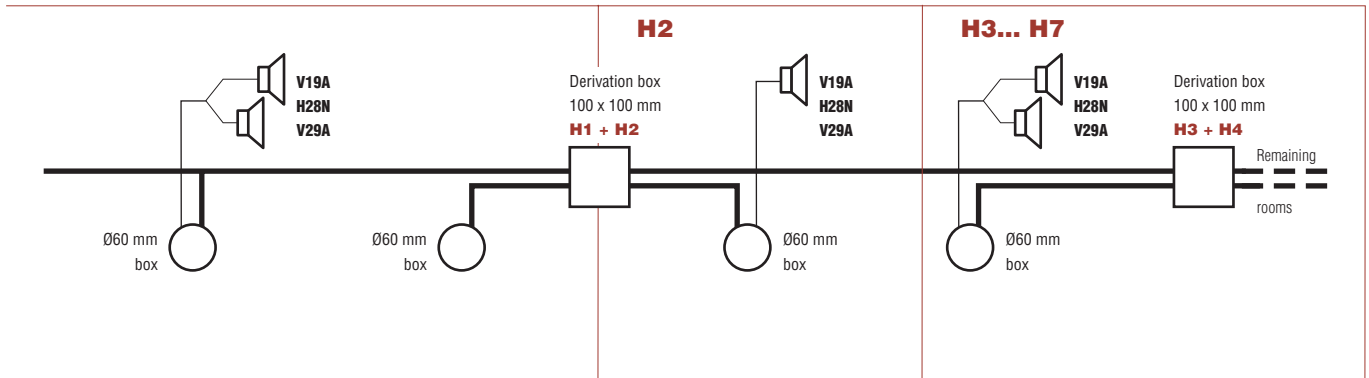
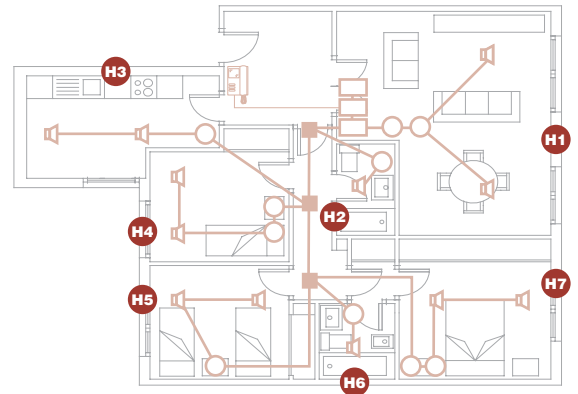
Installation

H1



This installation includes control units of ref. 40250 and 40260 (with radio) for Ø60 mm flush-mounting box.

This installation features 1 or 2 audio programs, acoustic surveillance of the rooms / babyphone, intercom, audio input, headphones output in the rooms and message recorder.



3 audio programs + local FM + door phone + lighting control unit...

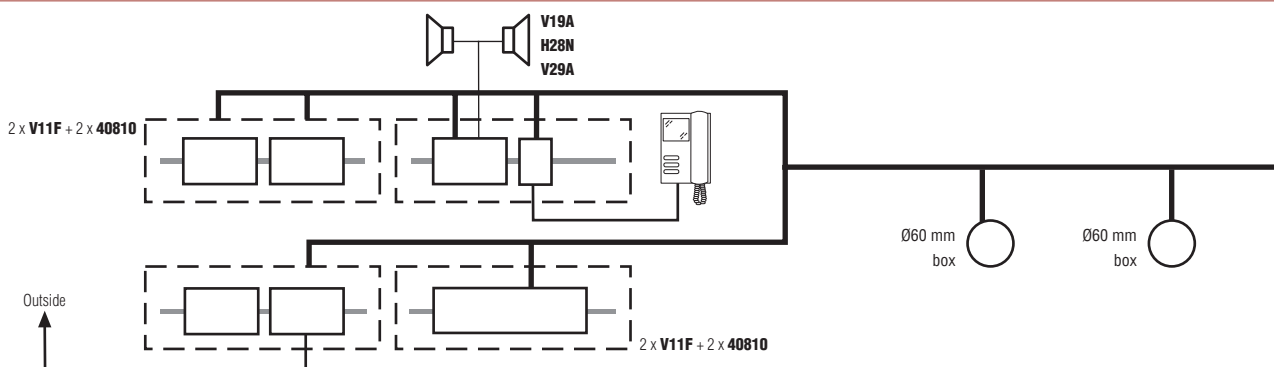
Apart from the audio functions, this installation includes domotic services provided by 40510 domotic central unit. The audio system is based on a central unit (40040 -2 programs-) and provides 2 audio programs + FM, masterclock for the whole installation and room-to-room intercom.

It also allows the remote control of the audio sources and the connection of the house bell, so it can be listened through the whole installation. 40200 USB Central unit gives the third audio program. Moreover, 40140 module is also included in the bedrooms, allowing the connection of an equipment discman type, so you can listen to it through the loudspeakers installed in the room. It also has a built-in headphone jack for individual listening.

Regarding the domotic system, alarm and intruder sensors are managed by the domotic central unit, which can even communicate with the user through 40520 GSM module.

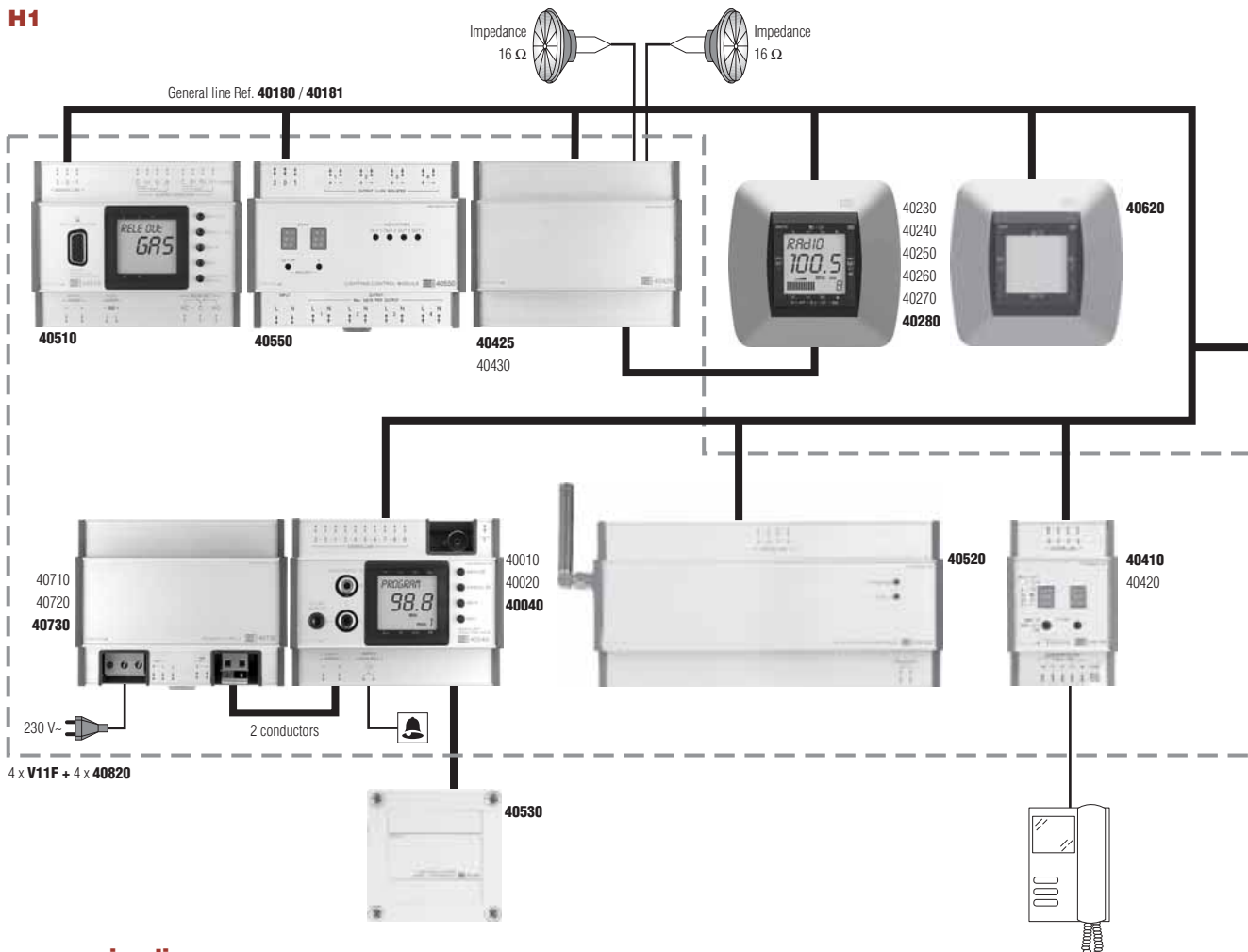
Preinstallation

H1



Installation

H1

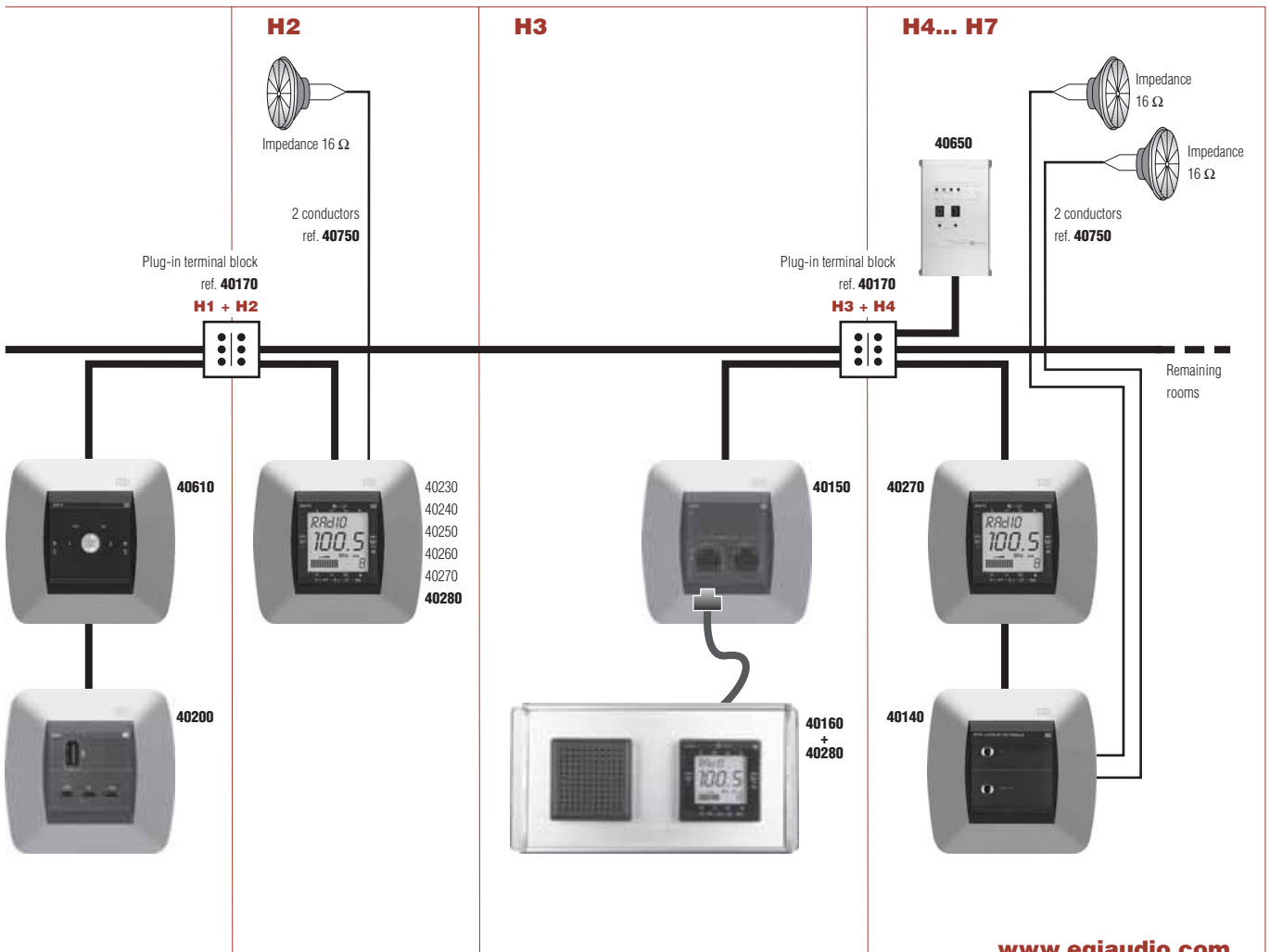
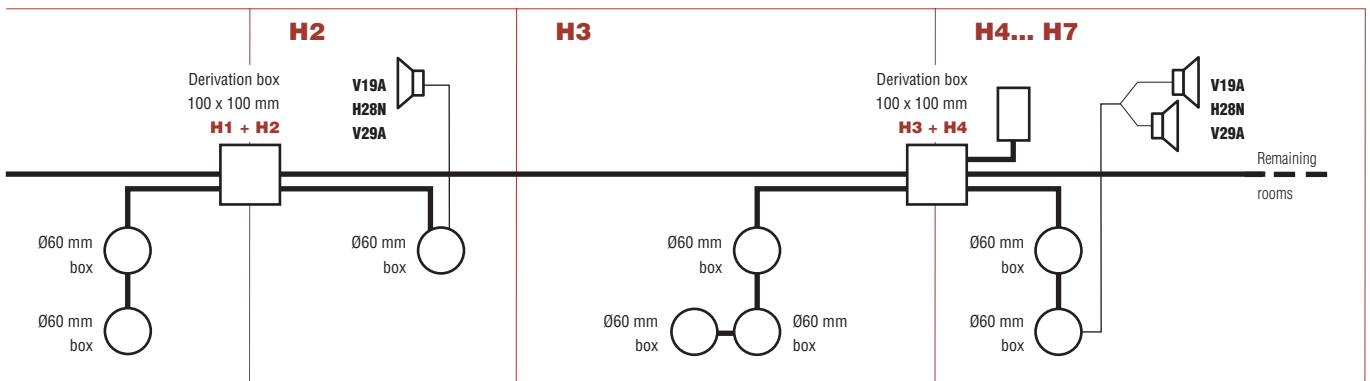
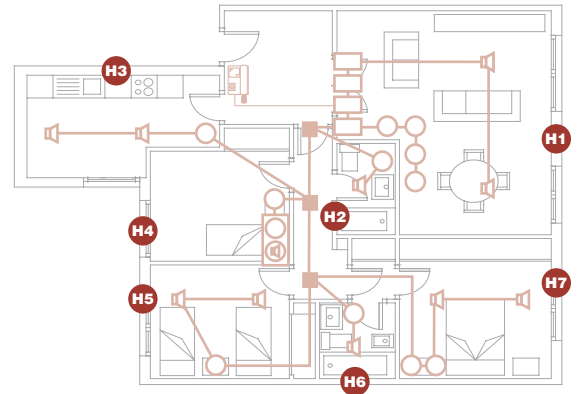


... + domotic central unit + amplifier + presence sensor + GPS + remote control

40410 module will allow you to answer and open the door phone from any room.

This installation includes control units of ref. 40270 and 40280 (with radio) for ø60 mm flush-mounting box.

This installation features 3 audio programs, acoustic surveillance of the rooms / babyphone, intercom, audio input, headphones output in the rooms and message recorder.



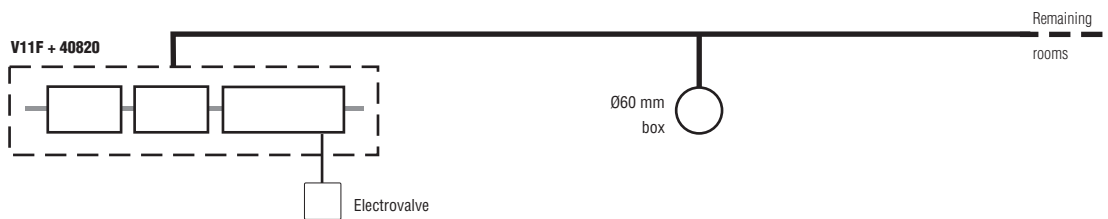
26 Domotic central unit + security + GSM

The aim of this installation is to supervise security of second homes and, if necessary, give alerts through telephone.

Alarm and intruder sensors are managed by the domotic central unit, which can communicate with the user through 40520 GSM module.

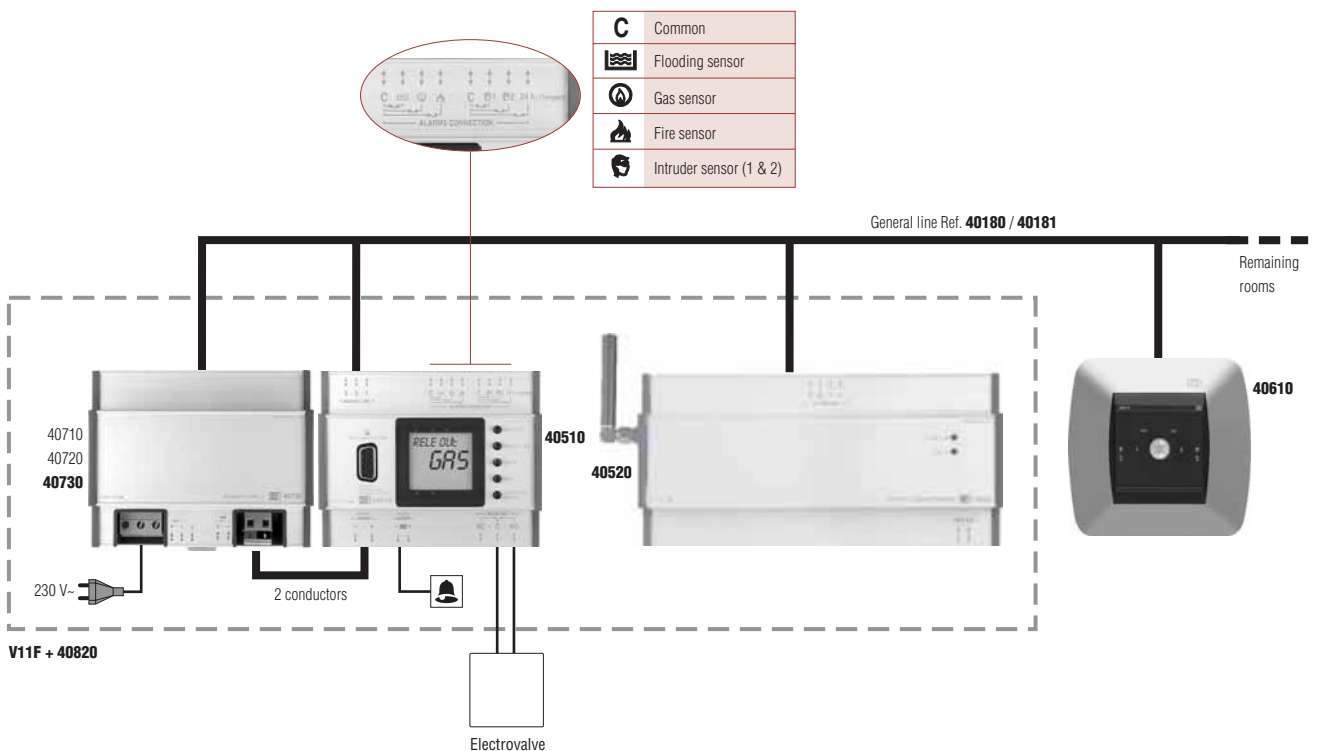
Preinstallation

H1...



Installation

H1...



Installation start-up

Once the electric and signal wiring has been laid, it is necessary to perform a basic configuration of the system for its proper operation. This configuration consists in assigning a zone to each room with **EGi** system installed.

NOTE:

For more details on each module operation, please consult "*User's Manual*".



Control units

40230, 40240

ZONE ASSIGNMENT

Each room is known as a **ZONE**. This procedure will assign a zone to each control unit, so that the central unit will detect and assign functions to each control unit, and intercomm will be set. To assign a **ZONE** to a control unit, do as follows.

From the control unit:

1. Press **MENU** key  and pass **AUD > INT > VIG >** until you reach **ADJ**.
2. Press **(OK/+ / ON)** for 2 seconds.
3. Press **MENU** key  several times until **SET** appears.
4. Press **(OK)** for a few seconds and navigate using **(OK/+)** and **(OFF/-)** until the selected zone number appears on the display. Then, press **(OK)**.
5. The number on the display stops flashing. The zone has been assigned to the control unit.

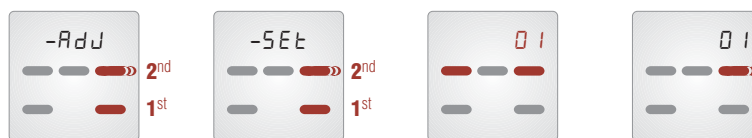
When doing this, all the control units in the installation, will configure in **SETUP** mode. Automatically the following number to the assigned one will flash in the rest of the control units. (If the zone chosen for the example is 10, the other control units will display 11).

You only have to press **(OK)** in the following one for it have that area assigned and repeat the operation until all the control units have an area assigned.

NOTE: This process can be aborted at any time by pressing the **MENU** exit key .



From the central unit:

If your installation includes a central unit **EGi** ref. **40020, 40040** and **40060**, the installation reset can be made from this unit. Please refer to your central unit manual for detailed information.



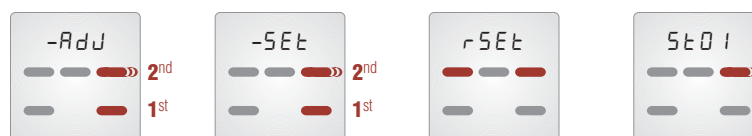
RESET SYSTEM ZONE ASSIGNMENT

If you need to **SETUP** the installation, you must reset (from the control unit) the installation. Follow the instructions to do so.

1. Press the **MENU** key  3 times, **AUD > INT > SUR >** until **ADJ** is displayed.
2. Press **(OK/+ / ON)** for 2 seconds.
3. Press the key **MENU**  several times until **SET** appears.
4. Press **(OK)** for a few seconds and navigate using **(OK/+)** and **(OFF/-)** until **RSET** appears on the display.
5. Keep **(OK/+)** pressed for some time and after about 3 seconds, **RSET** will stop flashing and **ST01** appears on the control units display.

The installation has been reset. Now, assign a new number to each zone following the procedure "*Zone assignment*".

NOTE: This process can be aborted at any time by pressing the **MENU** exit key .






Control units

40250, 40260

ZONE ASSIGNMENT

Each room is known as a **ZONE**. This procedure will assign a zone to each control unit, so that the central unit will detect and assign functions to each control unit, and intercomm will be set. To assign a **ZONE** to a control unit, do as follows.

From the control unit:

1. Press **MENU** key  and pass **AUDIO** > **INTCOM** > **SURVEIL** > until you reach **MISCEL**.
2. Press **(OK/+/ON)**.
3. Press the **MENU** key  twice and **ADJUST** will appear on the display.
4. Press **(OK/+/ON)** for 2 seconds.
5. Press the **MENU** key  several times until **SETUP** appears.
6. Press **(OK/+)** for a few seconds and navigate using **(OK/+/ON)** and **(OFF/-)** until the selected zone name and number appears on the display. Then, press **(OK/+/ON)**.
7. The number on the display stops flashing. The zone has been assigned to the control unit.

When doing this, all the control units in the installation, will configure in **SETUP** mode. Automatically the following number to the assigned one will flash in the rest of the control units. (if the zone chosen for the example is 10, the other control units will display 11).

You only have to press **(OK/+/ON)** in the following one for it have that area assigned and repeat the operation until all the control units have an area assigned.

NOTE: This process can be aborted at any time by pressing the **EXIT MENU** key .

From the central unit:



If your installation includes a central unit **EGi** ref. **40020**, **40040** and **40060**, the installation reset can be made from this unit.

Please refer to your central unit manual for detailed information.



RESET SYSTEM ZONE ASSIGNMENT

If you need to **SETUP** the installation, you must reset (from the control unit) the installation. Follow the instructions to do so.

1. Press the **MENU** key  3 times, **AUDIO** > **INTERC** > **SURVEIL** > until **MISCEL** is displayed.
2. Press **(OK/+/ON)** for 2 seconds.
3. Press the **MENU** key  several times until **SET** appears.
4. Press **(OK/+/ON)** for a few seconds and navigate using **(OK/+/ON)** and **(OFF/-)** until **RSET** appears on the display.
5. Keep **(OK/+/ON)** pressed for some time and after about 3 seconds, **RSET** will stop flashing and **ST01** appears on the control units display.

The installation has been reset. Now, assign a new number to each zone following the procedure *"Zone assignment"*.

NOTE: You can exit to the main menu at any time pressing **EXIT MENU** key  several times.






Control units

40270, 40280

ZONE ASSIGNMENT

Each room is known as a **ZONE**. This procedure will assign a zone to each control unit, so that the central unit will detect and assign functions to each control unit, and intercomm will be set. To assign a **ZONE** to a control unit, do as follows.

From the control unit:

1. Press **MENU** key  and pass **AUDIO > INTERCOM > SURVEI >** until you reach **MISCEL**.
2. Press **(OK/+/ON)**.
3. Press the **MENU** key  twice and **ADJUSTM** will appear on the display
4. Press **(OK/+/ON)** for 2 seconds.
5. Press the **MENU** key  several times until **SET-UP** appears.
6. Press **(OK/+/ON)** for a few seconds and navigate using **(OK/+/ON)** and **(OFF/-)** until the selected zone name and number appears on the display. Then, press **(OK/+/ON)**.
7. The number on the display stops flashing. The zone has been assigned to the control unit.

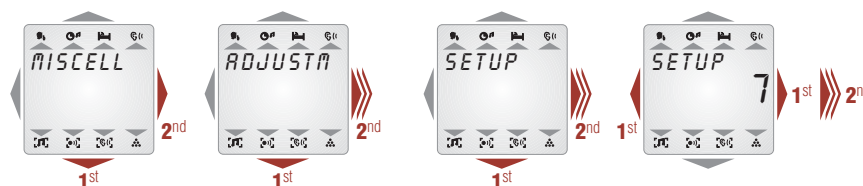
When doing this, all the control units in the installation, will configure in **SETUP** mode. Automatically the following number to the assigned one will flash in the rest of the control units (if the zone chosen for the example is 10, the other control units will display 11).

You only have to press **(OK)** in the following one for it have that area assigned and repeat the operation until all the control units have an area assigned.

NOTE: This process can be aborted at any time by pressing the **EXIT MENU** key .

From the central unit:



If your installation includes a central unit **EGi** ref. **40020, 40040** and **40060**, the installation reset can be made from this unit. Please refer to your central unit manual for detailed information.



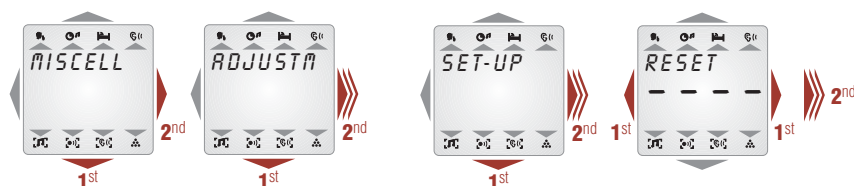
RESET SYSTEM ZONE ASSIGNMENT

If you need to **SETUP** the installation, you must reset (from the control unit) the installation.

Follow the instructions to do so.

1. Press the **MENU** key  3 times, **AUDIO > INTERCOM > SURVEIL >** until **MISCELL** is displayed.
2. Press **(OK/+/ON)** for 2 seconds.
3. Press the **MENU** key  several times until **SET** appears.
4. Press **(OK/+/ON)** for a few seconds and navigate using **(OK/+/ON)** and **(OFF/-)** until **RSET** appears on the display.
5. Keep **(OK/+/ON)** pressed for some time and after about 3 seconds, **RESET** will stop flashing and **ST01** appears on the control units display. The installation has been reset. Now, assign a new number to each zone following the procedure *"Zone assignment"*.

NOTE: You can exit to the main menu at any time pressing **EXIT MENU** key  several times.



Interface modules

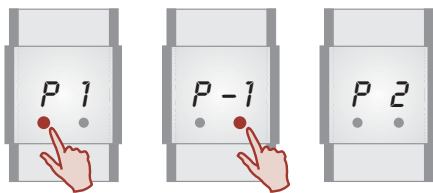
40410, 40420

DOOR NUMBER ASSIGNMENT (1st STEP)

Each installation allows the connection of 3 door phones in order to control up to 3 different doors. Each door would be a different zone.

To assign a door number to the door phone interface, do as follows:

1. Press the **MENU** key . The LED light on the right starts blinking.
2. This LED indicates the position (from 1 to 3) of the door phone in the installation.
3. Press **OK** to change this position. Once the correct position has been selected, press the **MENU** key .

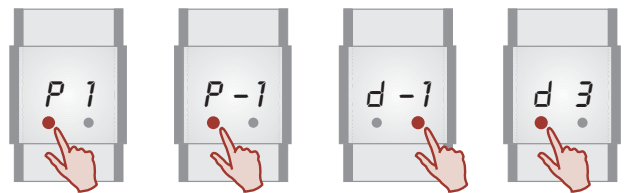


MELODY SELECTION (2nd STEP)

It is possible to choose between 5 different melodies. The selected melody will be played when the doorbell rings.

To select a melody, do as follows:

1. Press the **MENU** key . The LED light on the right will start blinking.
2. Press the **MENU** key again .
3. Select the melody by pressing **OK**.
4. Once the melody has been selected, press the **MENU** key .



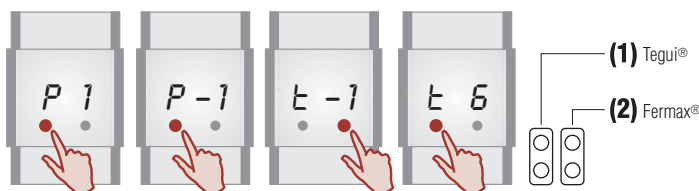
DOOR PHONE SYSTEM SELECTION (3rd STEP)

The third step allows you to set the type of the door phone installed in your home. The following chart shows a wide variety of door phone brand names.

In case that the brand name of your door phone is not included on the list or your door phone interface does not work properly, after selecting the correct brand name; please contact **EGi** Technical Assistance Service.

Our technical department will help you to configure it in **tb User** mode:

1. Long press on the **MENU** key . The LED light on the right starts blinking.
2. Press the **MENU** key again until **t -1** is displayed.
3. Use the **OK** key to find the door phone of your installation according to the following chart.
4. Once you have found the correct brand name, press the **MENU** key to confirm.



DOOR PHONE INTERFACE	BRAND NAME	OUTDOOR MODULE	MODEL
t 1	TEGUI®	375091	KIT Ax
t 2	GUINAZ®	PA 001	KA 00x
t 3	GOLMAR®	PE-295 / xAL	ROC
t 4	FARFISA®	MD 30	-- --
t 5	AUTA®	509002	MF-S
t 6	FERMAX®	-- --	CITY LINE CITY MAX
t 7	COMELIT®	1100/U 1600	-- -- -- --
t 8	NIESSEN®	-- --	6AF101
t 9	NIESSEN VIDEO®	EIN153	6AF103
t A	BTICINO®	-- --	TERRANEO
t b	User	-- --	-- --

x Number varies depending on the number of houses connected to the device.

40420 ADS DOOR PHONE INTERFACE MODULE

40420 ADS door phone interface module has been designed for FERMAX® door phones.

40420 Interface module works in a similar manner to **40410** interface module, although you will be able to adjust the volume of both loudspeaker and microphone. To do so, follow these steps:

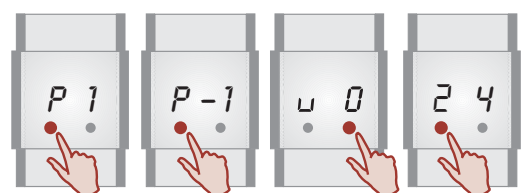
Press the **MENU** key until the output volume appears on the LED display and adjust the volume by pressing **OK**. Repeat these steps to adjust the input volume. Follow the steps described for model **40410** in order to assign a door and select a melody.

SPEAKER AND MICROPHONE VOLUME ADJUSTMENT

With this model, microphone and speaker volume can be adjusted.

To select a melody, do as follows:

1. Press the **MENU** key . The LED light on the right will start blinking.
2. Press the **MENU** key several times until **v o** (for speaker) or **v i** (for microphone) appears.
3. Use "+" to adjust the speaker (**v o**) or microphone (**v i**) volume.
4. Press **OK** to confirm.



NOTE: Your installer will verify the correct configuration of your system. You will not need to use the **SETUP** menu. This may cause improper system operation.



Features

Connection diagrams

NOTE:

Owing to our policy of constant improvement, the photos included in this manual may not correspond exactly to the final product.
Front trims of the modules and other accessories are **NOT INCLUDED**, except where otherwise indicated.

DOMOS2 Power supplies provide all necessary power to the audio and domotic modules. Power supplies provide 15 V= voltage and a nominal power according to the following chart. It is recommended to install them with the central units for DIN rail mounting, using the EGi flush-mounting box of ref. V11F. If the installation is equipped with central units for ø60 mm box instead of central units for DIN rail mounting, it is not necessary to install them with the power supply, as these central units are designed for ø60 mm box.



40710

Input voltage	230 V-; ±10%@50-60 Hz
Max. charge	1.3 A
Max. power	15 W
Output voltage	15 V=
Overload and short circuit protection	Through PTC
Switch	No
Type	Lineal
Housing	EGi flush-mounting box of ref. V11F
DIN rail modules	6M wide
Dimensions (mm)	105 x 85.5 x 65



40720

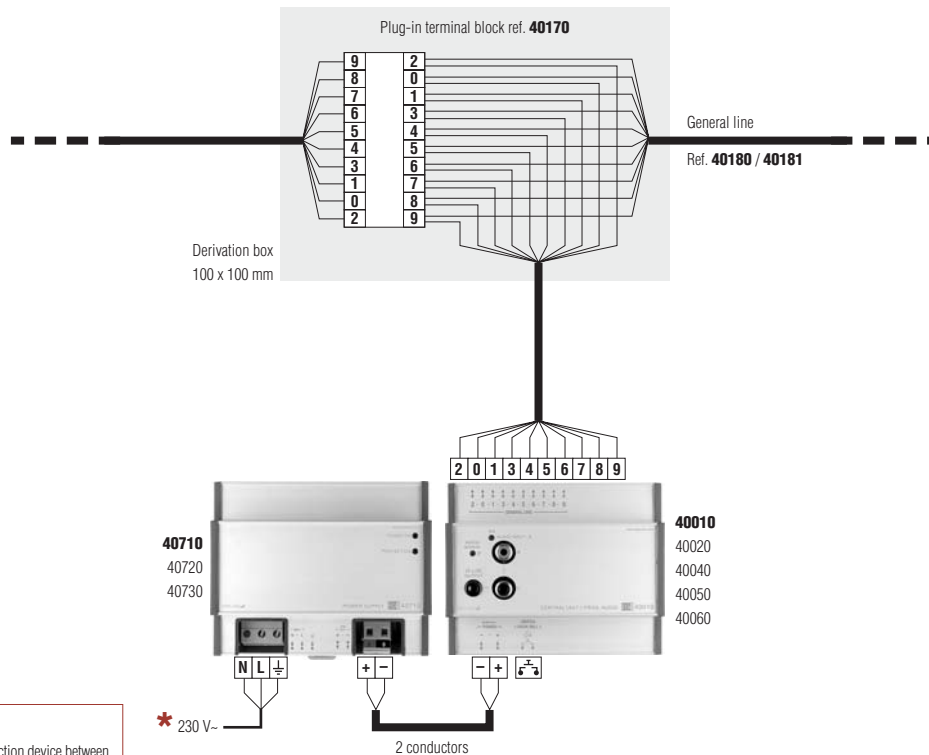
Input voltage	85-264 V-; @47-63 Hz
Max. charge	1.7 A
Max. power	25 W
Output voltage	15 V=
Overload and short circuit protection	Through PTC
Switch	Yes
Type	Switching
Housing	EGi flush-mounting box of ref. V11F
DIN rail modules	6M wide
Dimensions (mm)	105 x 85.5 x 65



40730

Input voltage	127-230 V-; @50-60 Hz
Max. charge	2.75 A
Max. power	40 W
Output voltage	15 V=
Overload and short circuit protection	Through PTC
Switch	No
Type	Switching
Housing	EGi flush-mounting box of ref. V11F
DIN rail modules	6M wide
Dimensions (mm)	105 x 85.5 x 65

Connection diagram



*** NOTE:**
Install a cut-off and protection device between the house current and the power supply.

* 230 V-
2 conductors



INPUT:
Connect the power supply line to the ground connection on the indicated terminals, observing mainly the ground wire position.

OUTPUT:
Use colours or continuity to distinguish + and - cables from the output connector and observe the code to connect the power supply to the central unit.

Audio power stages

40425, 40430

33

DOMOS2 Audio power stages provide 100 W audio power distributed in: 100 W mono or 50 + 50 W stereo or 25 + 25 W stereo + 50 W mono (for subwoofer).

This module has been designed for installation on DIN rail mounting, measuring 12 DIN modules wide, plus 40740 module (power supply), measuring 6 DIN modules wide.

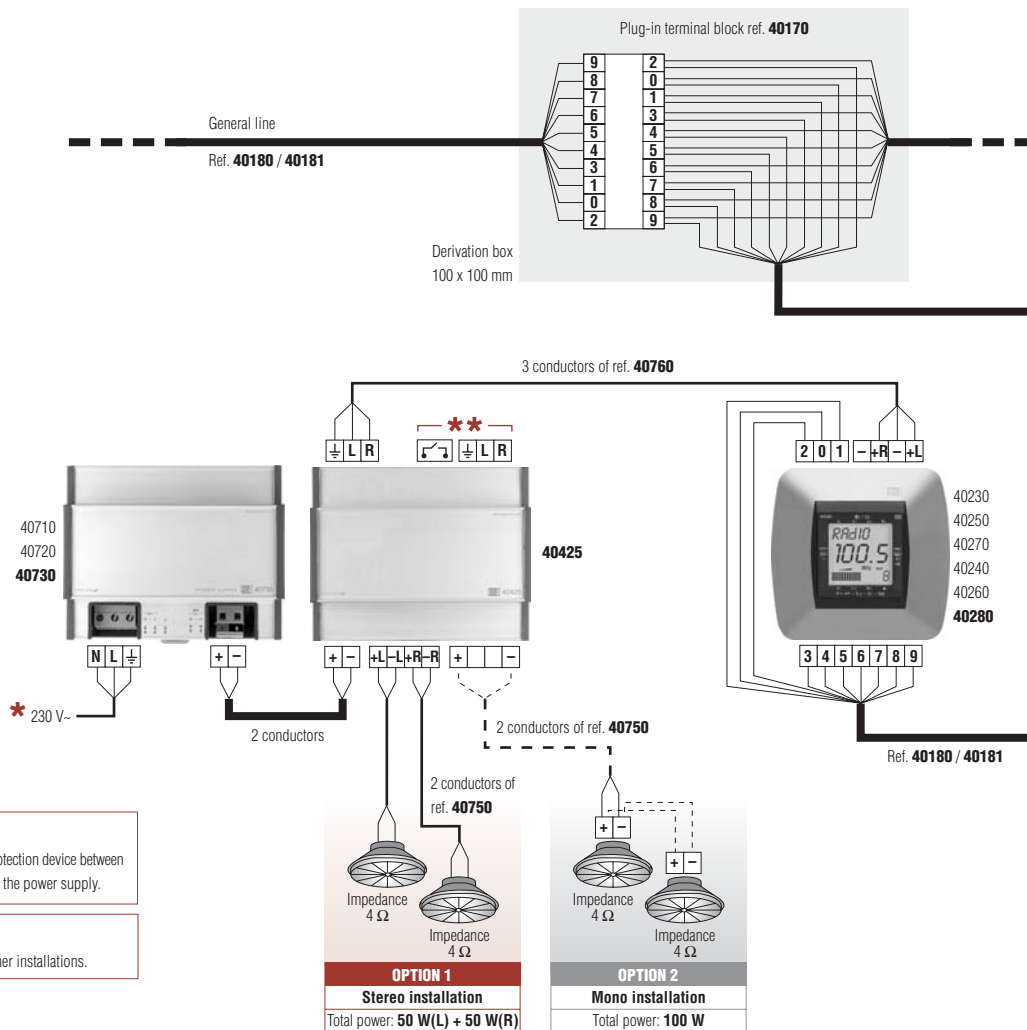
It is also connected to any of the DOMOS2 control units, which in turn are connected to a 10-way BUS of the general line.

40430 module is supplied with power at 24 V= by 40740 switching power supply, which in turn is supplied with power at 230 V~ @50-60 Hz.



40425	
Input voltage	230 V- ±10%; @50-60 Hz
Consumption	2.5 VA (max 36 VA)
Sound power	8 + 8 W
Output voltage	15 V=
Loudspeaker impedance	2 – 16 W
Housing	EGi flush-mounting box of ref. V11F
DIN rail modules	6M wide
Dimensions (mm)	105 x 85.5 x 65

Connection diagram



*** NOTE:**
Install a cut-off and protection device between the house current and the power supply.

**** NOTE:**
Inputs used for other installations.

Its function in a **DOMOS2** installation is to provide 100 W audio power distributed in: 100 W mono or 50 + 50 W stereo or 25 + 25 W stereo + 50 W mono (for subwoofer). This module has been designed for installation on DIN rail mounting, measuring 12 DIN modules wide, plus **40740** module (power supply), measuring 6 DIN modules wide.

It is also connected to any of the **DOMOS2** control units, which in turn are connected to a 10-way BUS of the general line.

40430 module is supplied with power at 24 V= by **40740** switching power supply, which in turn is supplied with power at 230 V~ @50-60 Hz.

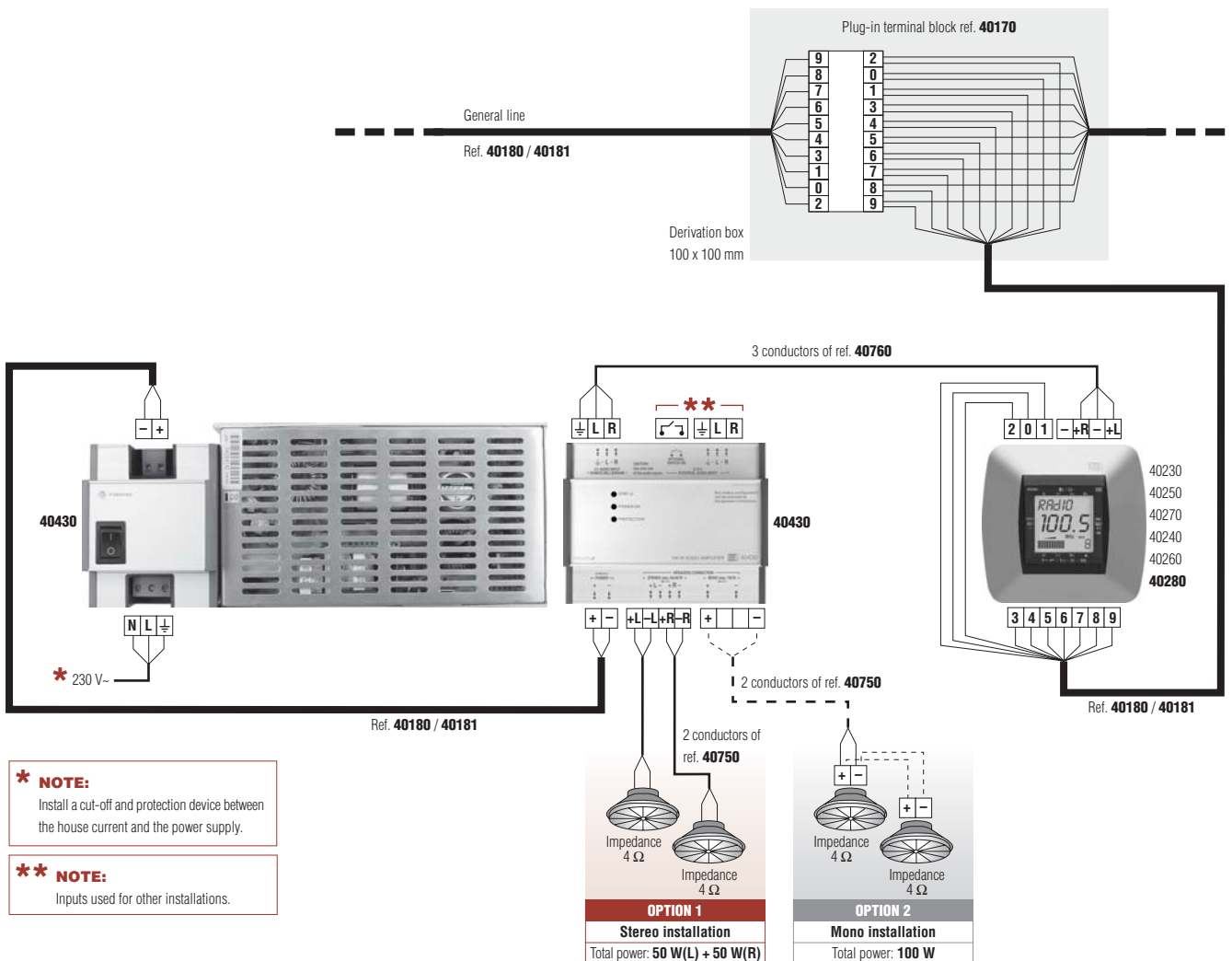


40430	
Input voltage	24 V=
Consumption	125 VA
Sound power	100 W (mono); 50 + 50 W (stereo)
Loudspeaker impedance	2 – 16 W
Housing	EGi flush-mounting box of ref. V11F
DIN rail modules	6M wide
Dimensions (mm)	105 x 85.5 x 65



40430	
Input voltage	127-230 V~; @50-60 Hz
Max. charge	4.15 A
Max. power	100 W
Output voltage	24 V=
Overload and short circuit protection	Through PTC
Switch	Yes
Type	Switching
Housing	EGi flush-mounting box of ref. V11F
DIN rail modules	14M wide
Dimensions (mm)	245 x 85.5 x 65

Connection diagram



*** NOTE:**
Install a cut-off and protection device between the house current and the power supply.

**** NOTE:**
Inputs used for other installations.

Central units (for DIN rail mounting)**40010, 40050, 40020, 40040, 40060****35**

Central units in a DOMOS2 installation, distribute audio and manage additional services provided by the series. If the central units were not installed, we would only have the audio from the local FM radio tuners of the control units. It is necessary to install this module in order to have a full DOMOS2 system.

It is recommended to install them with the power supplies, measuring 6 DIN modules wide, and use the EGi flush-mounting box of ref. V11F. Central units are connected to a 10-way BUS of the general line and are supplied with power at 15 V=. They control up to 50 zones and manage up to 3 general stereo audio programs and 2 local stereo audio programs, depending on the central unit model.

**40010**

No. Programs	1
No. FM tuners	---
No. RCA inputs	1
Input sensitivity	290 mV _{RMS} @ 3 V _{RMS}
BUS (general line)	10 conductors
Display	---
Power supply	15 V=
Consumption (max)	64 mA
Input impedance	9 K Ω – 18 K Ω
Housing	EGi flush-mounting box of ref. V11F
DIN rail modules	6M wide
Dimensions (mm)	105 x 85.5 x 65

**40050**

No. Programs	3
No. FM tuners	---
No. RCA inputs	3
Input sensitivity	290 mV _{RMS} @ 3 V _{RMS}
BUS (general line)	10 conductors
Display	---
Power supply	15 V=
Consumption (max)	108 mA
Input impedance	9 K Ω – 18 K Ω
Housing	EGi flush-mounting box of ref. V11F
DIN rail modules	6M wide
Dimensions (mm)	105 x 85.5 x 65

**40020**

No. Programs	1
No. FM tuners	1
No. RCA inputs	1
Input sensitivity	290 mV _{RMS} @ 3 V _{RMS}
BUS (general line)	10 conductors
Display	LCD
Power supply	15 V=
Consumption (max)	80 mA
Input impedance	9 K Ω – 18 K Ω
Housing	EGi flush-mounting box of ref. V11F
DIN rail modules	6M wide
Dimensions (mm)	105 x 85.5 x 65

**40040**

No. Programs	2
No. FM tuners	2
No. RCA inputs	1
Input sensitivity	290 mV _{RMS} @ 3 V _{RMS}
BUS (general line)	10 conductors
Display	LCD
Power supply	15 V=
Consumption (max)	116 mA
Input impedance	9 K Ω–18 K Ω
Housing	EGi flush-mounting box of ref. V11F
DIN rail modules	6M wide
Dimensions (mm)	105 x 85.5 x 65

**40060**

No. Programs	3
No. FM tuners	3
No. RCA inputs	1
Input sensitivity	290 mV _{RMS} @ 3 V _{RMS}
BUS (general line)	10 conductors
Display	LCD
Power supply	15 V=
Consumption (max)	166 mA
Input impedance	9 K Ω–18 K Ω
Housing	EGi flush-mounting box of ref. V11F
DIN rail modules	6M wide
Dimensions (mm)	105 x 85.5 x 65

**40010 - 40050:**

Observe polarity for the connection of the power supply and the 10-conductor general line (colours). Run potential-free direct conductors from the push button of the house to wire the doorbell connector. Do not put in parallel with the buzzer. When connecting the system, once the central unit is supplied with power, the POWER ON LED lights.

When connecting the audio source through the stereo RCA connector, adjust the volume so the AUDIO SIGNAL LED blinks. If the LED remains lit, it is possible that the audio signal level is too high and the audio is distorted.

Use the **40110** cable to make the IR-LINK connection. Insert the 3.5 mm jack connector into the module connector and put the IR capsule on the audio source IR receiver.

40020 - 40040 - 40060:

Observe polarity for the connection of the power supply and the 10-conductor general line (colours). Run potential-free direct conductors from the push button of the house to wire the doorbell connector. Do not put in parallel with the buzzer.

Use the **40110** cable to make the IR-LINK connection. Insert the 3.5 mm jack connector into the module connector and put the IR capsule on the audio source IR receiver. If the FM reception is not good, connect a 75 Ω FM antenna to the connector marked.

Connection diagram

See connection diagram
on page 32

Central units in a DOMOS2 installation, have the following functions:

- auxiliary module for a central unit of DIN rail mounting. EGi Central units of ref. 40070 or 40080 add audio general programs to the installation. Everytime we install a central unit for ø60 mm box, we are adding a new audio general program. DOMOS2 allows a maximum of 3 general programs; or
- central unit, having the same features as a central unit for DIN rail mounting. Therefore, we can make an installation with 40090 central unit, without using a central unit for DIN rail mounting but getting the same services.

These central units are designed for ø60 mm box and can be installed in any room of the house. Central units for ø60 mm box are connected to a 10-way BUS of the general line and are supplied with power at 15 V=. They control up to 50 zones.



40070

No. Programs	1
No. FM tuners	---
No. RCA inputs	1
BUS (general line)	5 conductors
Display	---
Power supply	15 V=
Consumption (max)	45 mA
Input impedance	40 KΩ-50 KΩ
Housing	ø60 mm box
Dimensions (mm)	71 x 71 x 49

40080

No. Programs	1
No. FM tuners	1
No. RCA inputs	---
BUS (general line)	5 conductors
Display	LCD
Power supply	80 V=
Consumption (max)	45 mA
Input impedance	40 KΩ-50 KΩ
Housing	ø60 mm box
Dimensions (mm)	71 x 71 x 49



40070:

Observe polarity for the connection of the power supply and the 10-conductor general line (colours).
When connecting the audio source through the stereo RCA connector, adjust the volume so the AUDIO SIGNAL LED blinks. If the LED remains lit, it is possible that the audio signal level is too high and the audio is distorted.

Use the 40110 cable to make the IR-LINK connection. Insert the 3.5 mm jack connector into the module connector and put the IR capsule on the audio source IR receiver.

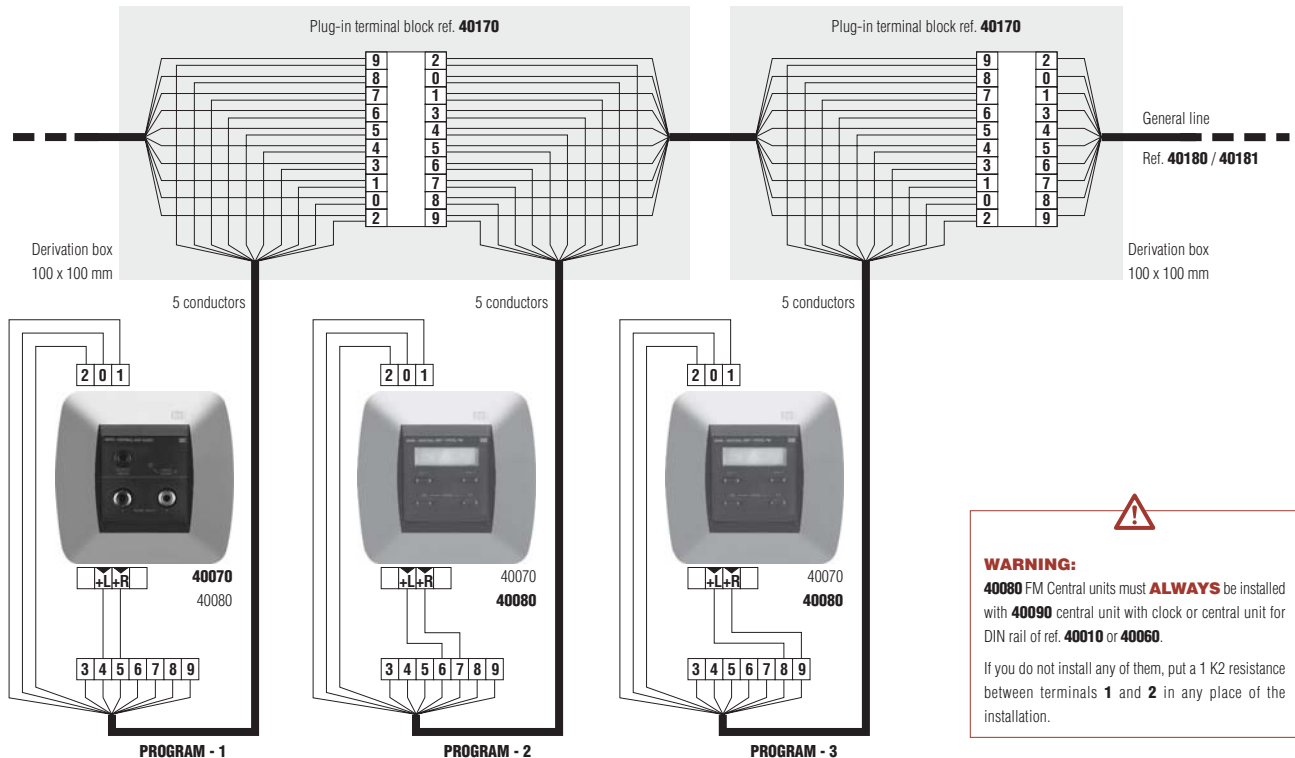
40070 Central unit can be connected to one of the DOMOS2 programs. This program differs, depending on the cables connected to the BUS. Cable configuration must correspond to the control unit programs.

40080:

Observe polarity for the connection of the power supply and the 10-conductor general line (colours).

40080 Central unit can be connected to one of the DOMOS2 programs. This program differs, depending on the cables connected to the BUS. Cable configuration must correspond to the control unit programs.

Connection diagram



WARNING:

40080 FM Central units must ALWAYS be installed with 40090 central unit with clock or central unit for DIN rail of ref. 40010 or 40060.

If you do not install any of them, put a 1 K2 resistance between terminals 1 and 2 in any place of the installation.

WARNING:

- PROGRAM - 1:** conductor 4 to L, 5 to R
- PROGRAM - 2:** conductor 6 to L, 7 to R
- PROGRAM - 3:** conductor 8 to L, 9 to R

To select the program to be used, connect the conductors following the diagram above.

NOTE:

This installation includes the maximum number of central units that can be connected to a system, allowing up to 3 programs.

It is possible to connect 1, 2 or 3 central units.

If only 1 central unit is installed (PROGRAM 1), connect conductors 4 and 5.

If 2 central units are installed (PROGRAM 1 and 2), connect conductors 4, 5 (PROGRAM 1) and 6, 7 (PROGRAM 2).

If 3 central units are installed (PROGRAM 1, 2 and 3), connect conductors 4, 5 (PROGRAM 1), 6, 7 (PROGRAM 2) and 8, 9 (PROGRAM 3).



40090	
No. Programs	1
No. FM tuners	--
No. RCA inputs	--
BUS (general line)	4 conductors
Display	LCD
Power supply	15 V=
Consumption (max)	45 mA
Input impedance	40 KΩ-50 KΩ
Housing	ø60 mm box
Dimensions (mm)	71 x 71 x 49

When connecting a **40080** central unit with FM radio, you must beware of:

1. Connection conductors (they must match the program).
2. **SET PR** in the menus.
3. Central unit model installed.

	CONDUCTORS					
	4 yellow	5 green	6 blue	7 violet	8 gray	9 white
SET PR (program)	1	1	2	2	3	3
Central unit (DIN rail)			40020	40020	40040	40040
Central unit (ø60 mm box)	40080					

If you install the **40020** central unit, you must connect conductors **6** and **7** to the **40080** central unit, and configure **SET PR** in **PROGRAM 2**.

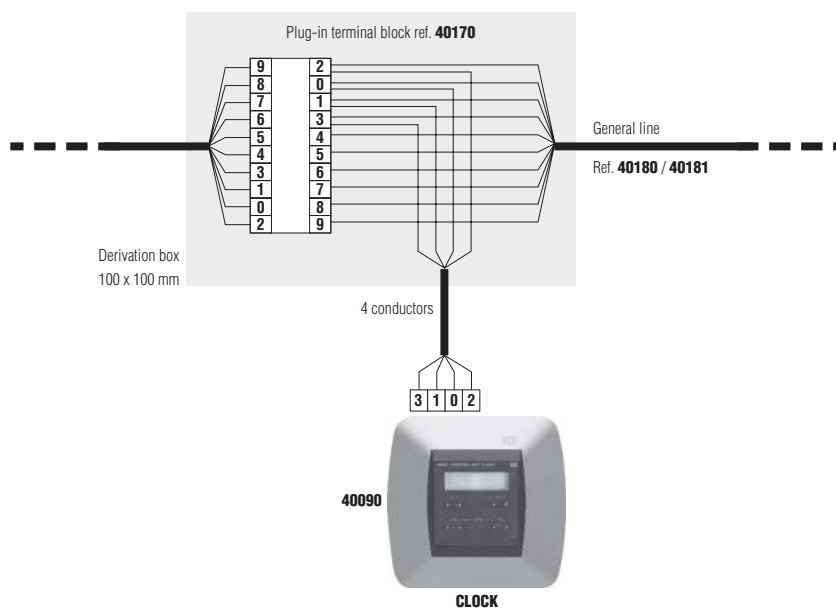
If you install the **40040** central unit, you must connect conductors **8** and **9** to the **40080** central unit, and configure **SET PR** in **PROGRAM 3**.

If you install the **40090** central unit with clock instead of a central unit for DIN rail mounting, you must follow the order, as indicated in the previous chart. That is, you must connect conductors **4** and **5** of the **40080** central unit with **SET PR** in **PROGRAM 1**; and so on with other possible central unit connections.

Connect **40090** central unit in the same form:

	CONDUCTORS					
	4 yellow	5 green	6 blue	7 violet	8 gray	9 white
Central unit (DIN rail)			40020	40020	40040	40040
Central unit (ø60 mm box)	40090					

Connection diagram



NOTE:
 If 2 central units are installed (**PROGRAM 1** and **2**), connect conductors **4, 5 (PROGRAM 1)** and **6, 7 (PROGRAM 2)**.
 If 3 central units are installed (**PROGRAM 1, 2** and **3**), connect conductors **4, 5 (PROGRAM 1)**, **6, 7 (PROGRAM 2)** and **8, 9 (PROGRAM 3)**.

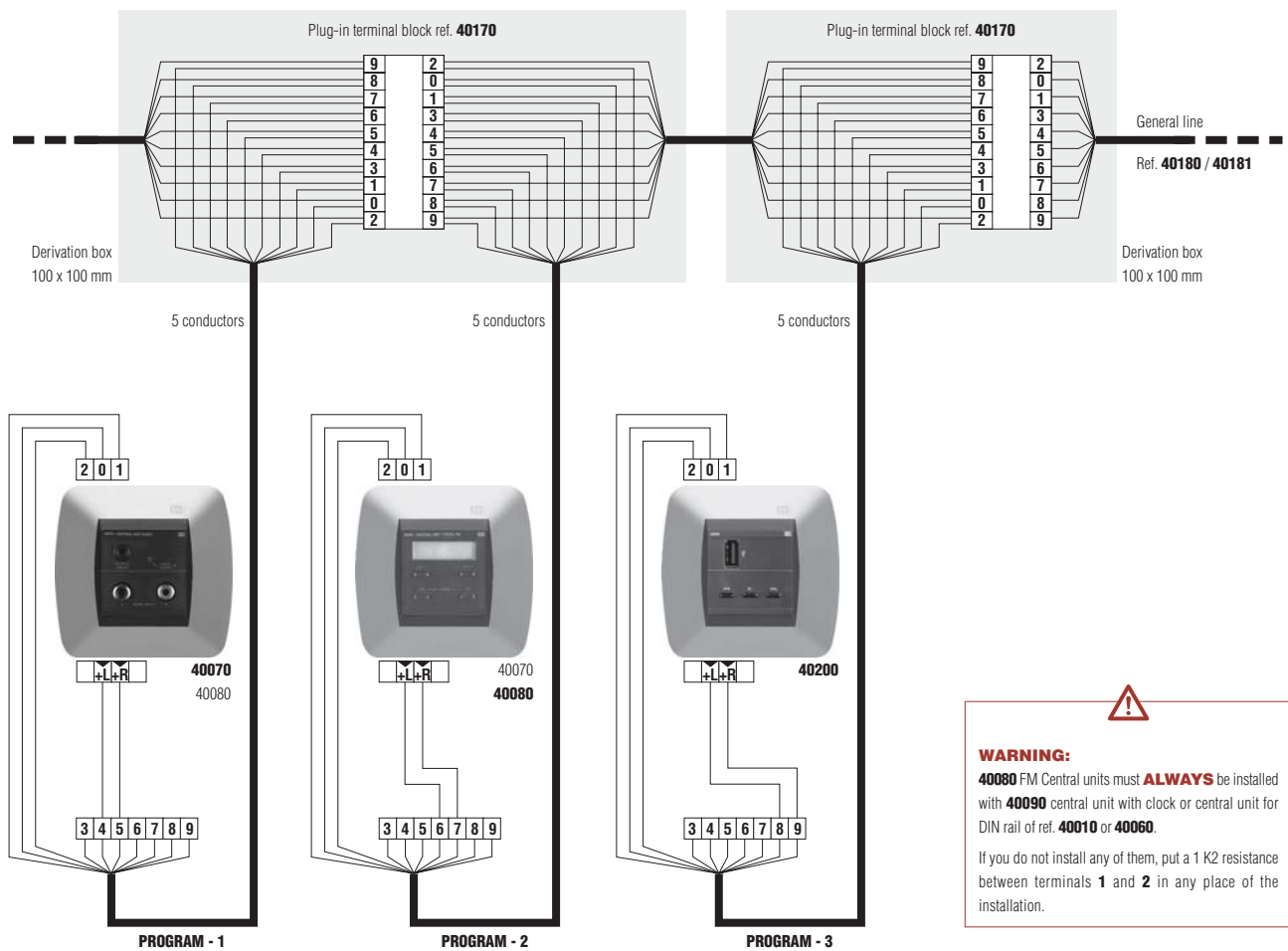
40200 Central unit allows your system to play music in MP3 format thanks to its USB connector.

To use it, insert the pen-drive into the USB connector and the music will automatically start to play in one of the general programs of the installation.



40200	
No. Programs	1
BUS (general line)	5 conductors
USB Input	1
Power supply	15 V=
Consumption (max)	65 mA
Input impedance	40 K Ω -50 K Ω
Housing	\varnothing 60 mm box
Dimensions (mm)	71 x 71 x 49

Connection diagram



WARNING:
40080 FM Central units must **ALWAYS** be installed with 40090 central unit with clock or central unit for DIN rail of ref. 40010 or 40060.
If you do not install any of them, put a 1 K2 resistance between terminals **1** and **2** in any place of the installation.

WARNING:
PROGRAM - 1: conductor 4 to 5 to
PROGRAM - 2: conductor 6 to 7 to
PROGRAM - 3: conductor 8 to 9 to

To select the program to be used, connect the conductors following the diagram above.

NOTE:
This installation includes the maximum number of central units that can be connected to a system, allowing up to 3 programs. It is possible to connect 1, 2 or 3 central units.
If only 1 central unit is installed (**PROGRAM 1**), connect conductors **4** and **5**.
If 2 central units are installed (**PROGRAM 1** and **2**), connect conductors **4, 5 (PROGRAM 1)** and **6, 7 (PROGRAM 2)**.
If 3 central units are installed (**PROGRAM 1, 2** and **3**), connect conductors **4, 5 (PROGRAM 1)**, **6, 7 (PROGRAM 2)** and **8, 9 (PROGRAM 3)**.

Control units 40230, 40240, 40250, 40260, 40270, 40280, 40620

Control units in a DOMOS2 installation, configure the services provided by the series, so you can use them independently from any room, zone or area. Control units are designed for ø60 mm box. Each control unit represents a zone and each central unit allows up to a maximum of 50 zones. Control units are connected to a 10-way BUS of the general line and are supplied with power at 15 V=. They always manage up to 3 general stereo audio programs (depending on the central unit model) and 1 local stereo audio program in addition to the general programs, provided they have a local FM radio tuner.



40230

No. General programs	3 (1, 2 or 3)
No. Local programs	-- --
No. FM tuners	-- --
BUS (general line)	10 conductors
Display	LCD
Power supply	15 V=
Consumption (max)	340 mA
Input impedance	78 KΩ
Loudspeaker impedance	16 Ω (1+1 W audio)
Housing	ø60 mm box
Dimensions (mm)	71 x 71 x 49



40250

No. General programs	3 (1, 2 or 3)
No. Local programs	-- --
No. FM tuners	-- --
BUS (general line)	10 conductors
Display	LCD
Power supply	15 V=
Consumption (max)	328 mA
Input impedance	78 KΩ
Loudspeaker impedance	16 Ω (1+1 W audio)
Housing	ø60 mm box
Dimensions (mm)	71 x 71 x 49



40270

No. General programs	3 (1, 2 or 3)
No. Local programs	-- --
No. FM tuners	-- --
BUS (general line)	10 conductors
Display	LCD
Power supply	15 V=
Consumption (max)	451 mA
Input impedance	78 KΩ
Loudspeaker impedance	16 Ω (1+1 W audio)
Housing	ø60 mm box
Dimensions (mm)	71 x 71 x 49



40240

No. General programs	3 (1, 2 or 3)
No. Local programs	1 (L)
No. FM tuners	1
BUS (general line)	10 conductors
Display	LCD
Power supply	15 V=
Consumption (max)	380 mA
Input impedance	78 KΩ
Loudspeaker impedance	16 Ω (1+1 W audio)
Housing	ø60 mm box
Dimensions (mm)	71 x 71 x 49



40260

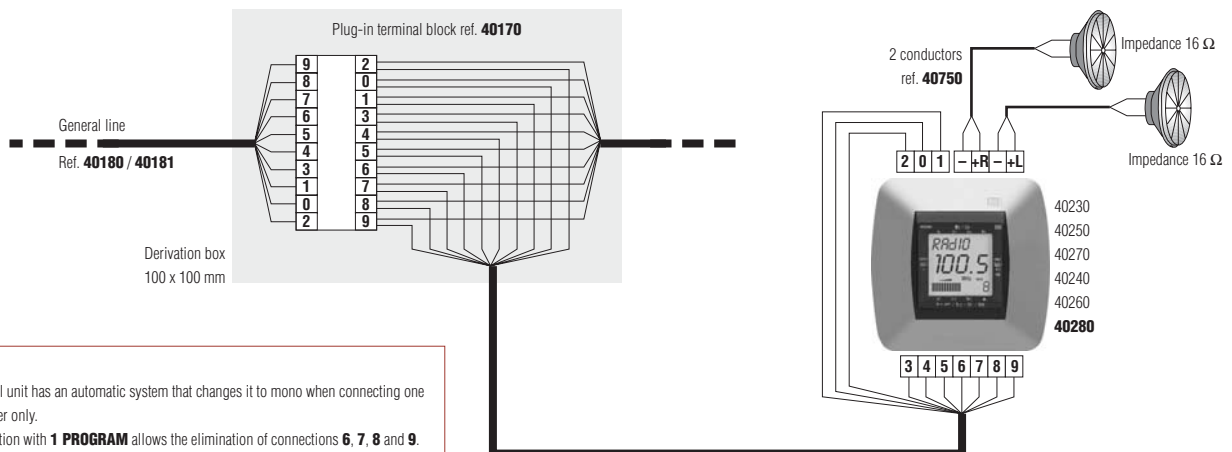
No. General programs	3 (1, 2 or 3)
No. Local programs	1 (L)
No. FM tuners	1
BUS (general line)	10 conductors
Display	LCD
Power supply	15 V=
Consumption (max)	360 mA
Input impedance	78 KΩ
Loudspeaker impedance	16 Ω (1+1 W audio)
Housing	ø60 mm box
Dimensions (mm)	71 x 71 x 49



40280

No. General programs	3 (1, 2 or 3)
No. Local programs	1 (L)
No. FM tuners	1
BUS (general line)	10 conductors
Display	LCD
Power supply	15 V=
Consumption (max)	454 mA
Input impedance	78 KΩ
Loudspeaker impedance	16 Ω (1+1 W audio)
Housing	ø60 mm.
Dimensions (mm)	71 x 71 x 49

Connection diagram



NOTE:

The control unit has an automatic system that changes it to mono when connecting one loudspeaker only.

An installation with **1 PROGRAM** allows the elimination of connections **6, 7, 8** and **9**.

An installation with **2 PROGRAMS** allows the elimination of connections **8** and **9**.

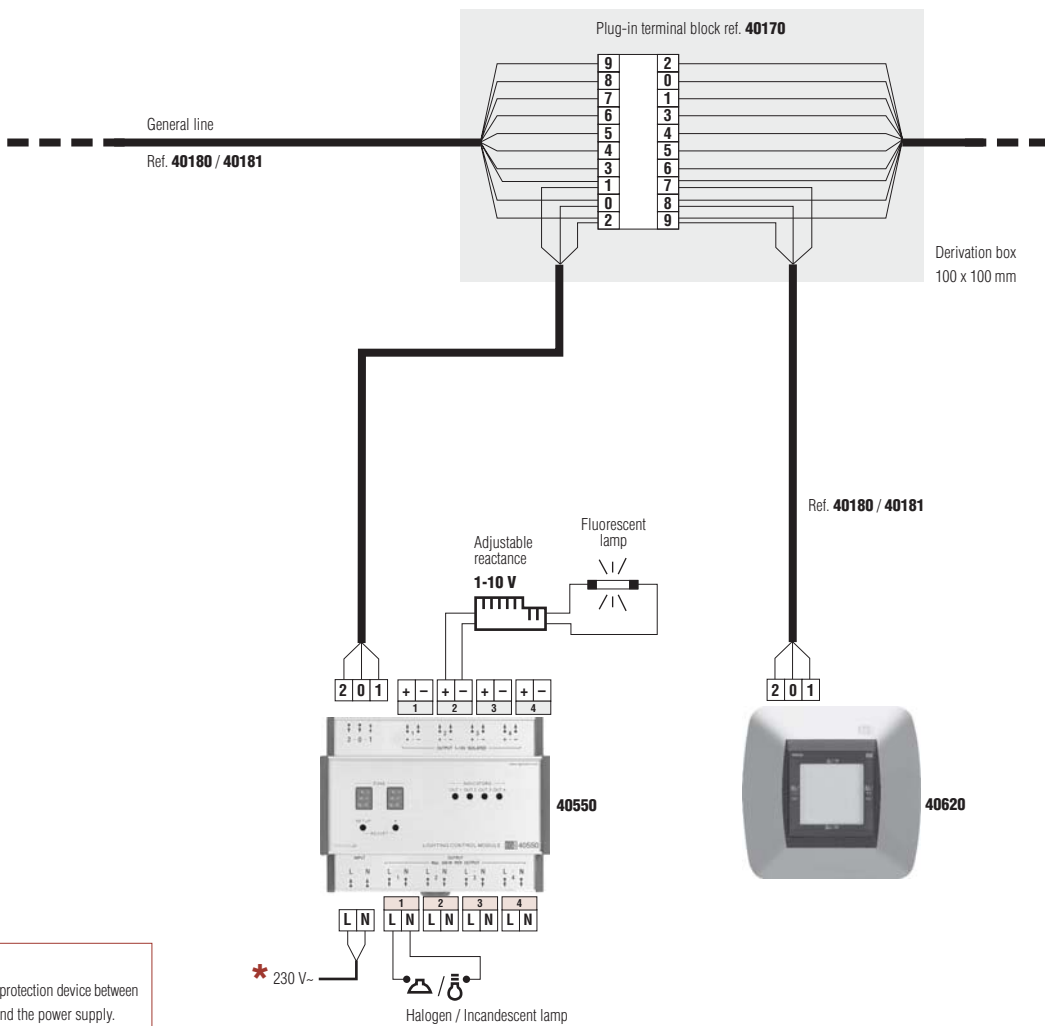
40620 Lighting control unit acts over **40550** module in order to create different lighting atmospheres.

It is possible to configure up to 4 different atmospheres, controlling up to a maximum of 4 luminaires at different light intensities in each atmosphere.



40620	
BUS (general line)	10 conductors
Display	LCD
Power supply	15 V=
Consumption (max)	100 mA
Housing	ø60 mm box
Dimensions (mm)	71 x 71 x 49

Connection diagram



*** NOTE:**
Install a cut-off and protection device between the house current and the power supply.

Halogen / Incandescent lamp
Direct or with magnetic/electronic transformer adjustable on the descending phase.

Remote controls

40130, 40100

41

EGi Remote control of ref. 40130 is a DOMOS2 accessory. It allows IR remote control over the series and any of the home audio sources (audio equipment, DVD, TV, MP3, etc).

EGi Remote control of ref. 40130 or 40100 allow control over many services of your DOMOS2 audio and domotic system.

Read carefully the instructions or consult the "User's manual" on these products before using any of them.

**40100**

Range	8 m.
Display	Touch-screen LCD (119.2 x 57.8 mm)
Power supply	3 batteries (1.5 V-AAA-LR03)
Format	Surface accessory
Dimensions (mm)	190.1 x 77 x 31.7

**40130**

Range	8 m.
Display	-- --
Power supply	2 batteries (1.5 V-AAA-LR03)
Format	Surface accessory
Dimensions (mm)	195 x 57 x 13.1

Connection diagram



Door phone interface module

40410, 40420

Door phone interface module in a DOMOS2 installation allow door opening and intercom from your home. 40410 door phone interface for analogue extension is compatible with 4+n conductor door phone systems (Tegui®, Guinaz®, Golmar®, Farfisa®, Auta®, Fermax®, Comelit®, Niessen®, Niessen Video® and Bticino®).

Door phone interfaces are designed for DIN rail mounting and can be installed in the entrance. 40410 module is based on an 4+1 conductor analogue system and connected to the general line through 4 conductors (power supply, ground and intercom audio). It is supplied with power at 15 V= and can control up to 3 doors in the same installation, if 3 door phone interface modules are installed.



40410

Analogue extension	4+1 conductor
No. tones	5
BUS (general line)	4 conductors
Display	LED
Power supply	15 V=
Consumption (max)	100 mA
Housing	EGi flush-mounting box of ref. V11F
DIN rail modules	3M wide
Dimensions (mm)	45.5 x 85.5 x 65

40420

Digital extension	2+1 conductor
No. tones	-- --
BUS (general line)	3 conductors
Display	LED
Power supply	15 V=
Consumption (max)	100 mA
Housing	EGi flush-mounting box of ref. V11F
DIN rail modules	3M wide
Dimensions (mm)	45.5 x 85.5 x 65



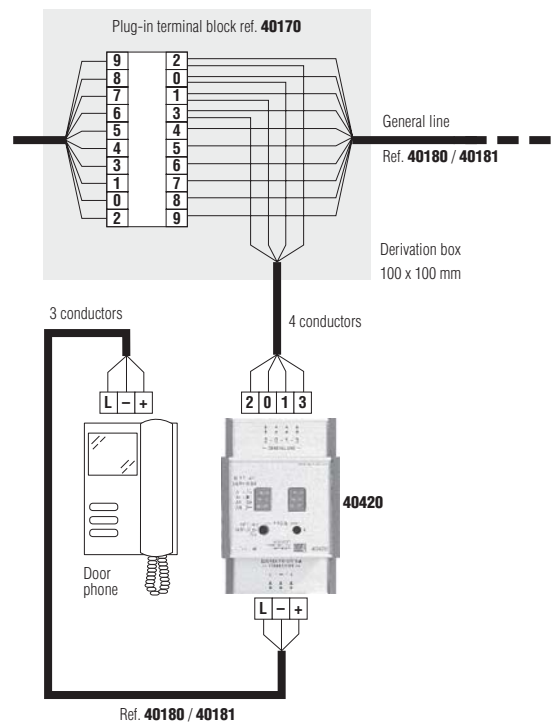
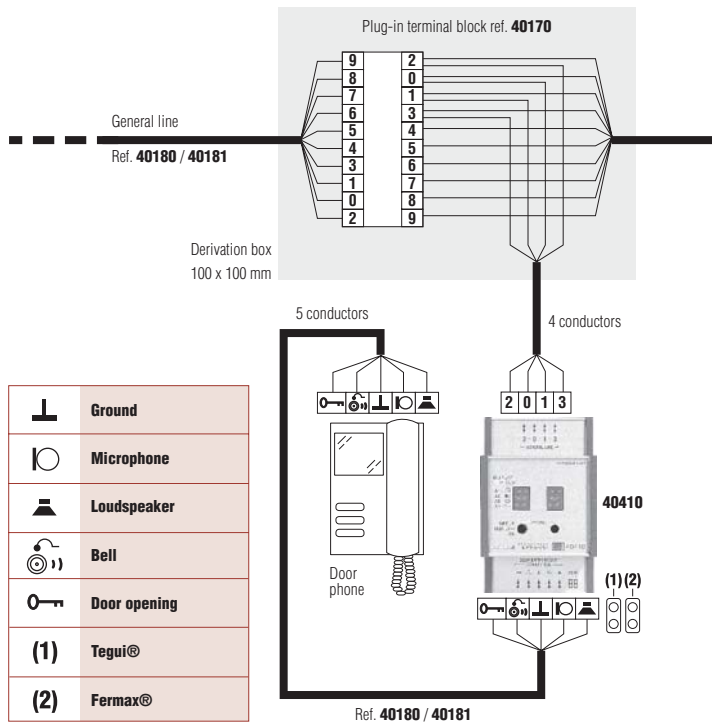
40410:

Connect the door phone system to the low part of the 40410 module, following the labelling indications. Also set the jumper in position (1) or (2) depending on the door phone model installed. Once the corresponding connections have been done, you must configure the software in order to select the door phone model on the chart or set the model manually.

If you need to set the module manually, please contact our technical assistance service. Our technicians will help you to configure parameters manually. Manual configuration of parameters can cause unproper operation of the equipment.

If you are in the manual configuration menu by mistake (J followed by a number is displayed), press the FUNCTION key up to 7 times to exit to the main menu.

Connection diagram



NOTE:

If you have a Fermax® door phone in your installation, you will be able to initiate communication from any DOMOS2 control unit without previously having received a call (see User's manual). If you have more than one door phone installed, for instance: one from Fermax® and another from Niessen®; intercom function will work with Fermax® door phone only, and not with Niessen® door phone.

If you have a Fermax® door phone installed, you must connect a jumper of 40410 door phone interface in POSITION (2)

If you have a Tegui® door phone (see chart on page 30), you must connect the jumper in POSITION (1).

GSM Interface module

40520

40520 GSM Interface module in a **DOMOS2** domotic system manages:

- Alarm notices to alert your mobile or wireless fixed telephone (pre-recorded voice messages):
 - Up to 10 telephone numbers to give alerts (5 for incoming messages and 5 for outgoing messages).
 - Fire alarm notice.
 - Gas alarm notice.
 - Flooding alarm notice.
 - Intruder alarm notice (2 areas).
 - Electrical supply failure notice.
 - SOS alarm notice.
- Home electrical appliances control (4 general relays + 1 internal relay from **40450** module):
 - Activate/deactivate blinds and awnings.
 - Activate/deactivate light intensity.
 - Activate/deactivate garden sprinkles.
 - Activate/deactivate swimming-pool filter system.
 - Activate/deactivate thermostat.
 - Activate/deactivate electrical appliances.
- Communication through telephone:
 - Intercom with the **DOMOS2** system zones (from **0** to **9**) through telephone.



40520

BUS (general line)	4 conductors
Power supply	15 V=
Consumption (max)	250 mA
Dialing type	Tones
Housing	EGi flush-mounting box of ref. V11F
DIN rail modules	12M wide
Dimensions (mm)	175.5 x 85.5 x 65



40520:

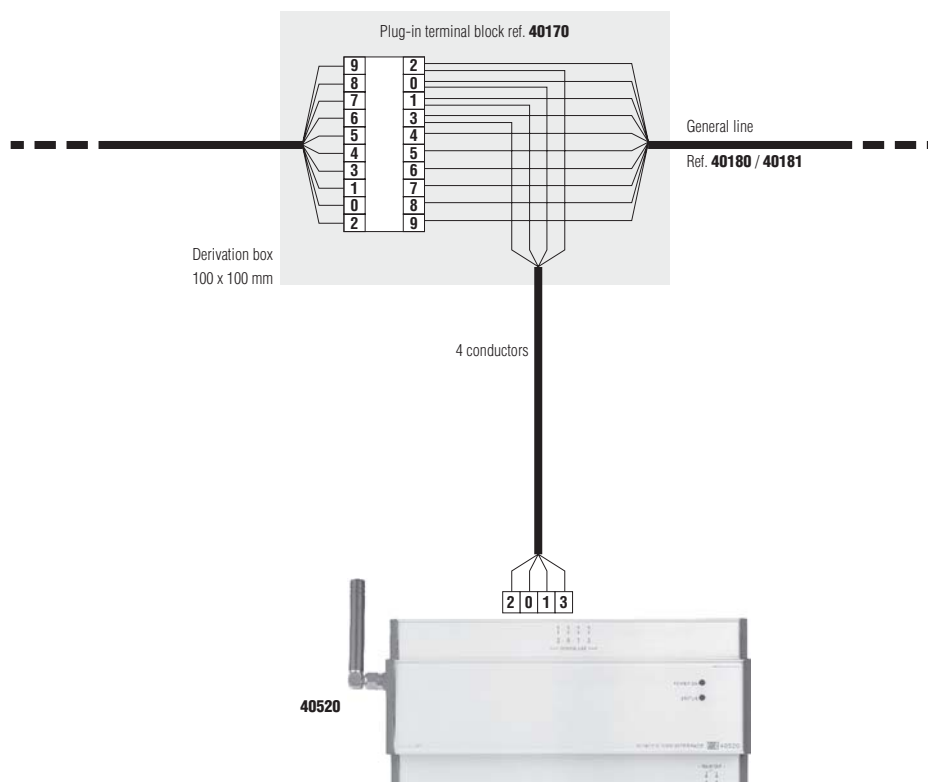
Before mounting the module on DIN rail, insert the SIM card into the card slot.

WARNING: Take into account that telephone contracts and prepaid cards require a minimum monthly consumption. If the telephone card is deactivated, the system will not work.

This module works with a standard GSM card without the need of a fixed line. It has GSM signal indicators with an antenna connector. It can be configured through PC.

40520 Module is designed for DIN rail mounting and measures 11 modules wide. It is connected to the general line through 4 connectors and is supplied with power at 15 V=. Please consult the "User's manual" to configure the GSM module.

Connection diagram



GPS clock interface module + Exterior thermometer

40530

40530 GPS clock interface module + Exterior thermometer gives the exact time to your **DOMOS2** installation thanks to the GPS satellite systems, synchronizing your installation automatically.

It has a temperature sensor to display the exterior temperature in any control unit with this function. (**40270** and **40280** Control units).

Interface module for EIB/KONNEX Bus

40580

40580 module allows to connect **DOMOS2** to an external system equipped with **KONNEX** standard.

KONNEX standard allows the interaction between domotic modules from different manufacturers, creating a complex domotic system. The devices connected to a system equipped with **KONNEX** standard can be monitorized and controlled remotely through a PC.

Configuration is done through **ETS3** tool.



40530

BUS (general line)	3 conductors
Power supply	15 V=
Consumption (max)	250 mA
Dimensions (mm)	100 x 100 x 50



40580

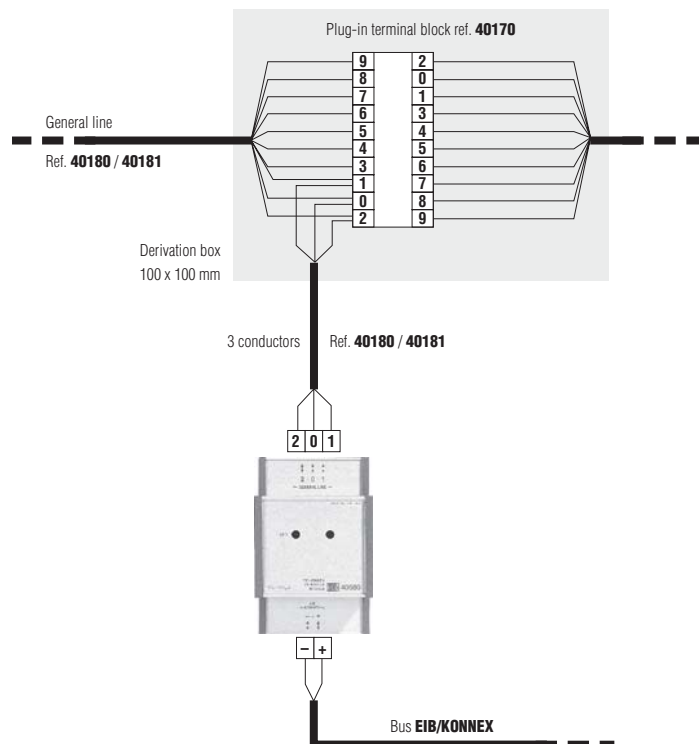
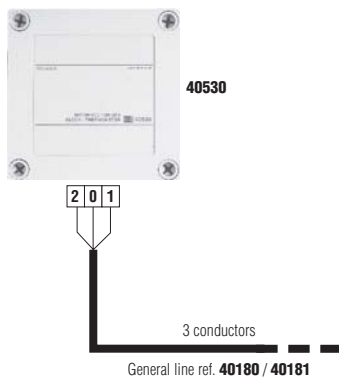
BUS (general line)	3 conductors
Power supply	15 V=
Consumption (max)	120 mA
Housing	EGi flush-mounting box of ref. V11F
DIN rail modules	3M wide
Dimensions (mm)	45.5 x 85.5 x 65



40530:

Install the module in clear space for a proper GPS reception.
Do not install the module under cornices or narrow spaces.

Connection diagram



Audio input + Headphones output auxiliary module

40140

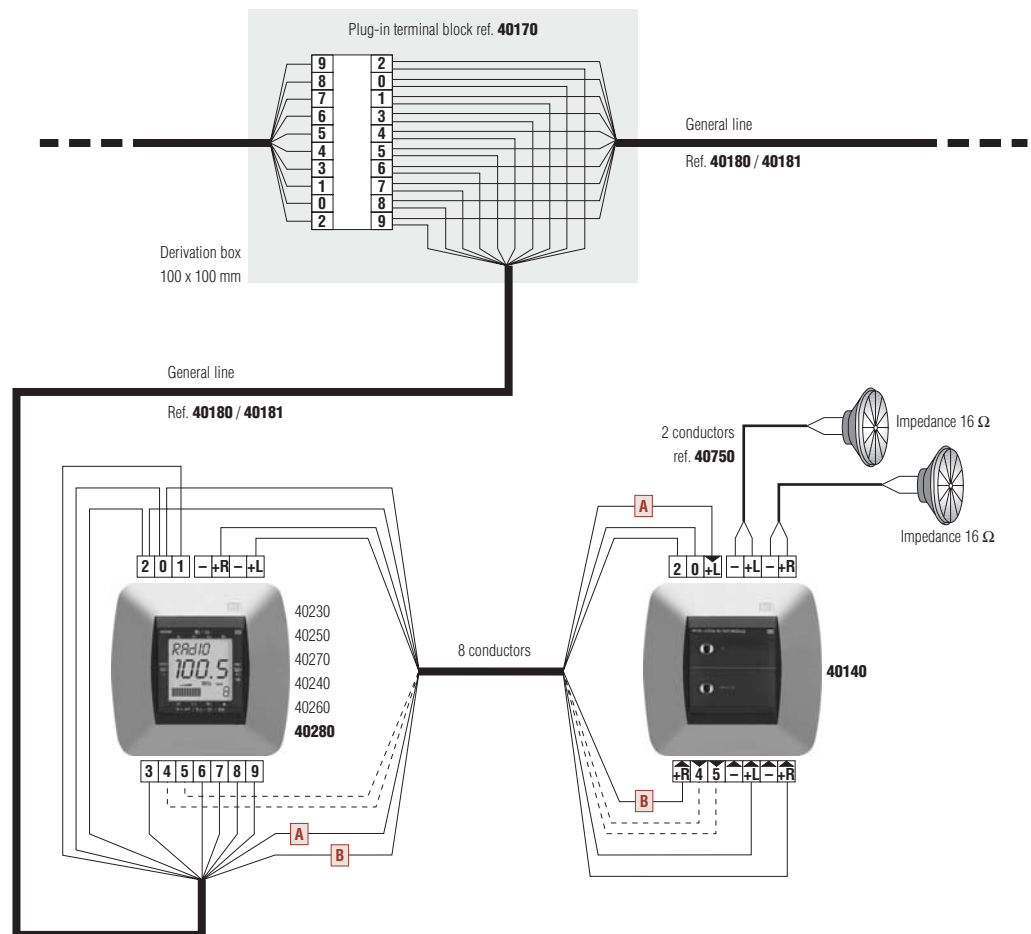
This module acts as an auxiliary module for control units in a DOMOS2 installation. It adds an individual audio input (audio source), which is automatically switched to program no. 1, 2 or 3 of the installation. It also has one stereo headphones output.

It is designed for ø60 mm box and can be installed in a zone with a DOMOS2 control unit. It is connected to a 10-way BUS of the general line and is supplied with power at 15 V=.



40140	
No. 3" Jack inputs	1
No. Headphones outputs	1
BUS (general line)	10 conductors
Power supply	15 V=
Consumption (max)	7 mA
Loudspeaker impedance	16 Ω
Housing	ø60 mm box
Dimensions (mm)	71 x 71 x 49

Connection diagram



Program	Connection "A"	Connection "B"
1	4	5
2	6	7
3	8	9

NOTE:

The installation of the audio PROGRAM 1 allows you to eliminate connections 6, 7, 8 and 9.
 The installation of the audio PROGRAM 2 allows you to eliminate connections 4, 5, 8 and 9.
 The installation of the audio PROGRAM 1 and PROGRAM 2 audio allows you to eliminate connections 8 and 9.

In-wall connector for the 40160 tabletop module

40150

40150 Auxiliary module allows the connection of the tabletop module for 2 control units, central units for ø60 mm box and loudspeakers.
Output connection: 2 RJ45.

Tabletop auxiliary module for control units, central units for ø60 mm box and loudspeakers 40160

40160 Auxiliary module has an in-built 2" loudspeaker and allows the installation on a table of any of the following **EGi** control units: **40230, 40240, 40250, 40260, 40270** or **40280**.

On the back, this module features: one connector in order to connect the device to the installation through the **40150** module, one 3.5 mm jack headphones output, and one stereo audio input through a 3.5 mm jack connector to adapt any audio source using the **EGi** wire of ref. **0501** or **0503**.

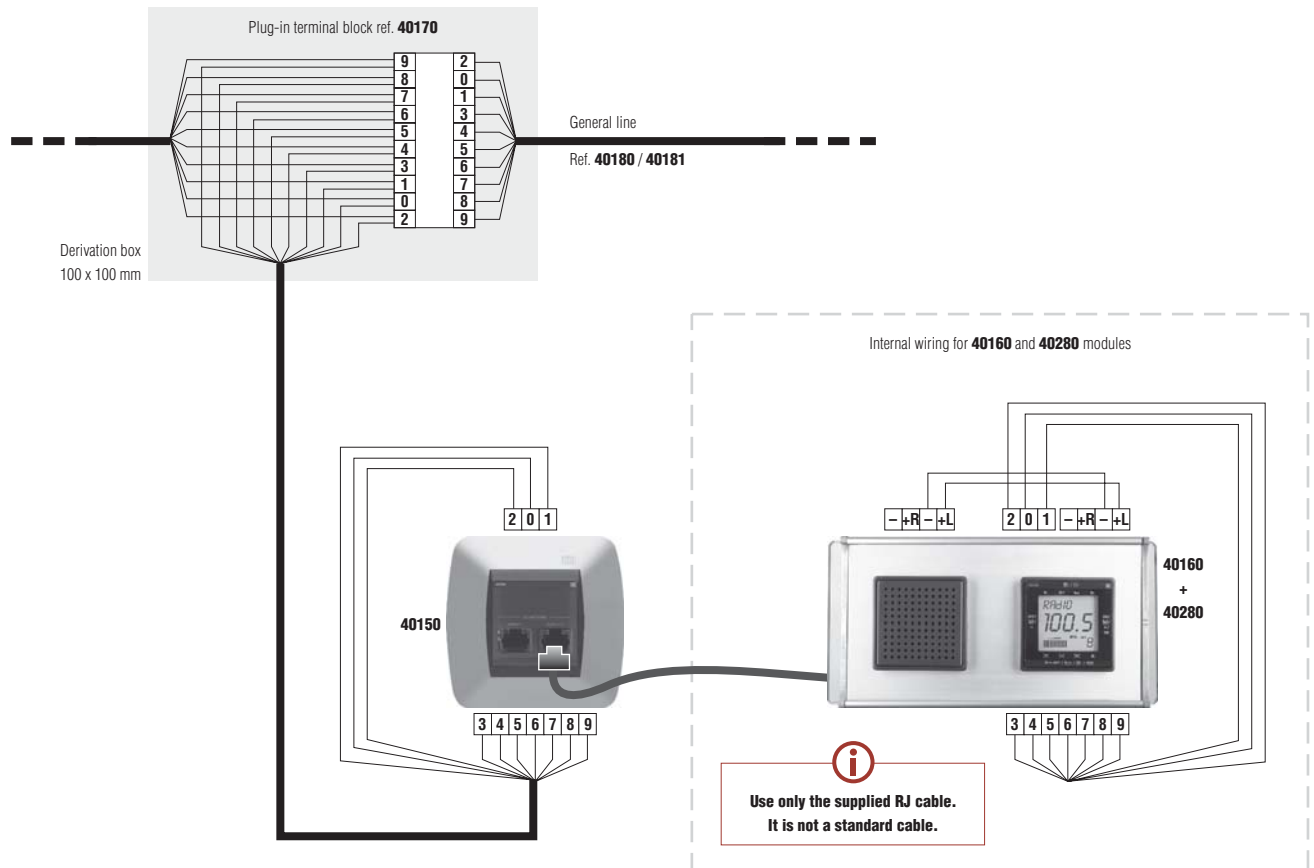


40150	
BUS (general line)	10 conductors
Power supply	15 V=
Consumption (max)	40 mA
Housing	ø60 mm box
Dimensions (mm)	71 x 71 x 49



40160	
No. 3" Jack inputs	1
No. Headphones outputs	1
BUS (general line)	10 conductors
Power supply	15 V=
Consumption (max)	Depending on the control unit model
Loudspeaker impedance	16 Ω
Housing	ø60 mm box
Dimensions (mm)	160 x 84 x 85

Connection diagram



Intruder sensor and card reader interface module

40610

40610 Module is used as interface to connect a presence sensor and proximity card reader to your **DOMOS2** installation (to activate/deactivate the intruder alarm).

■ Presence sensor:

- It can program the **40610** module for **AREA 1** or **AREA 2**.
- It can arm/disarm the intruder sensor with the proximity card.

■ Card reader:

- It can record up to 8 cards (for 8 different users).
- It can arm/disarm the **40610** sensor with the proximity card.
- It can read up to 8 different access cards to register home entries/exits.

40610 Presence sensor is connected to the general line BUS through conductors **0**, **1** and **2**. It is designed for ø60 mm box and supplied with power at 15 V=.

To select the volumetric sensor in exterior or interior mode use the exterior jumper.

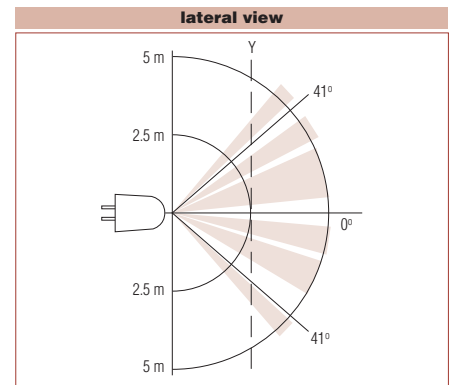
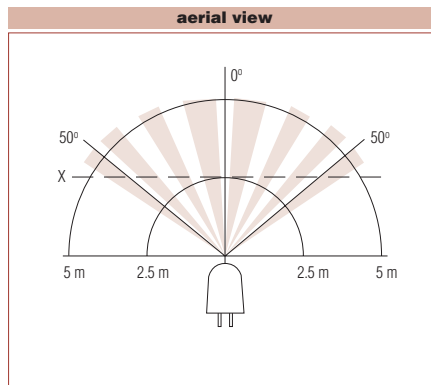
If the jumper is placed in **position 1**, it indicates that the volumetric sensor has been assigned to **AREA 1**. If the jumper is placed in **position 2**, it indicates that the volumetric sensor has been assigned to **AREA 2**.

To use the proximity cards, you must record them as user's cards using the "MASTER" card, which comes with the **40510** domotic central unit. This "MASTER" card will allow you to record up to 8 user's cards for the home.

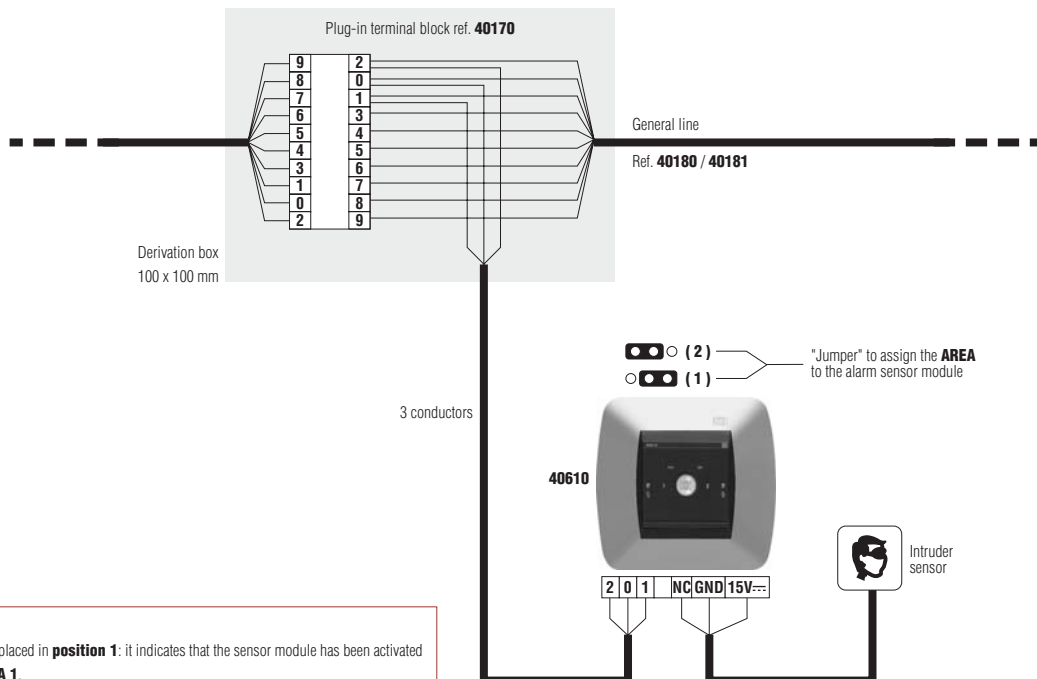


40610

Alarm indicator	LED
BUS (general line)	3 conductors
Power supply	15 V=
Consumption (max)	55 mA
Housing	ø60 mm box
Dimensions (mm)	71 x 71 x 49



Connection diagram



NOTE:

- (1)** Jumper placed in **position 1**: it indicates that the sensor module has been activated for **AREA 1**.
- (2)** Jumper placed in **position 2**: it indicates that the sensor module has been activated for **AREA 2**.

Domotic central unit (for DIN rail mounting)

40510

40510 domotic central unit is the main module of a DOMOS2 installation. It has the following functions:

- intruder and SOS alarm configuration,
- 40520 GSM module programming,
- presence simulator,
- entry and exit registration, and
- PC connection module.

This central unit manages 6 inputs and 1 output. It has LCD display and keyboard to configure and program all domotic functions without using a computer. It also has a COM port to configure it from a PC. It is recommended to install it with the power supply for DIN rail mounting, measuring 6 modules wide, using EGi flush-mounting box of ref. V11F. The central unit is connected to the general line through conductors 2, 0 and 1. It is supplied with power at 15 V= and can be connected to a battery with external supply.

■ Intruder alarms:

- Up to 2 areas for intruder detection.
- Arm/disarm through card reader and wireless telephone (mobile).
- Partial or total arm (1 area or 2 areas).
- Entry and exit registration.

■ SOS alarm:

- External sensors to detect flooding, fire and gas escape.
- Output for alarm siren or valve connection.
- Power failure detection and stand-by mode featuring low power consumption.
- Additional alarms can be added.

■ Presence simulator.

■ Entry and exit registration.

■ Scene configuration (activation/deactivation and relay programming).



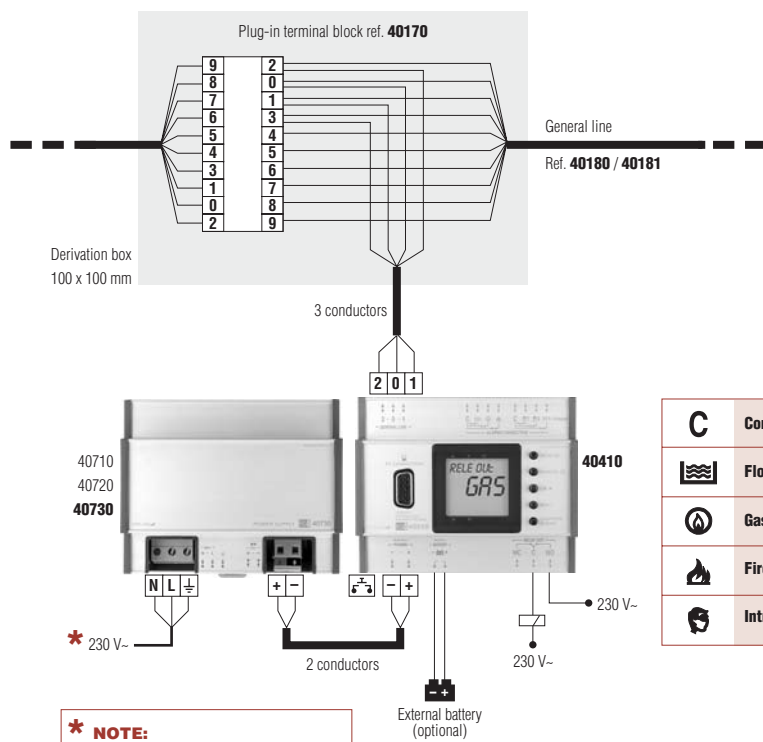
40510

BUS (general line)	3 conductors
Power supply	15 V=
Display	LCD
Consumption (max)	175 mA
Housing	EGi flush-mounting box of ref. V11F
DIN rail modules	6M wide
Dimensions (mm)	105 x 85.5 x 65

Connection diagram

40510:
Observe the type of connection (NO/NC) when connecting the external sensors for intruder, gas, fire and flooding detection. Observe polarity when connecting the auxiliary battery.

CHRONOTHERMOSTAT:
You can install a chronothermostat system using the output of the general relay module, which is programmed from the domotic central unit, and connecting it in series to the local relay module of the 40270/40280 control unit. In this way, when the relay programmed from the domotic central unit is closed and room temperature does not reach the desired temperature; the climate control will be activated in the room in which control unit is installed.



C	Common
	Flooding alarm
	Gas alarm
	Fire alarm
	Intruder alarm (1 & 2)

*** NOTE:**
Install a cut-off and protection device between the house current and the power supply.

SOS Wireless auxiliary module + receiver

40560 + 40561

40560 SOS Wireless auxiliary module allows to generate an alarm through the installation when pressing the transmitter button. This module will enable to alert about a dangerous situation or someone in need of help.

CONFIGURATION:

To configure a **transmitter** module for operating in cooperation with a receiver, do as follows:

- Long press on the receiver key. It will be in **LEARNING** mode for 10 seconds.
- In **LEARNING** mode, do as follows:
 - Press on the **transmitter**. If it is correctly recorded, **REC** led will be in recording mode.
 - **Long** press on the **receiver**, it deletes the transmitters that have been recorded; **REC** led will be in delete mode.
 - **Short** press on the **receiver** to go to **STAND-BY** mode.

Once a transmitter has been configured for operating in cooperation with a receiver, an **SOS** alarm will be generated if the transmitter button is pressed for more than 10 seconds during normal operation (SOS command with an assigned zone number = number of transmitter that has generated the alarm).

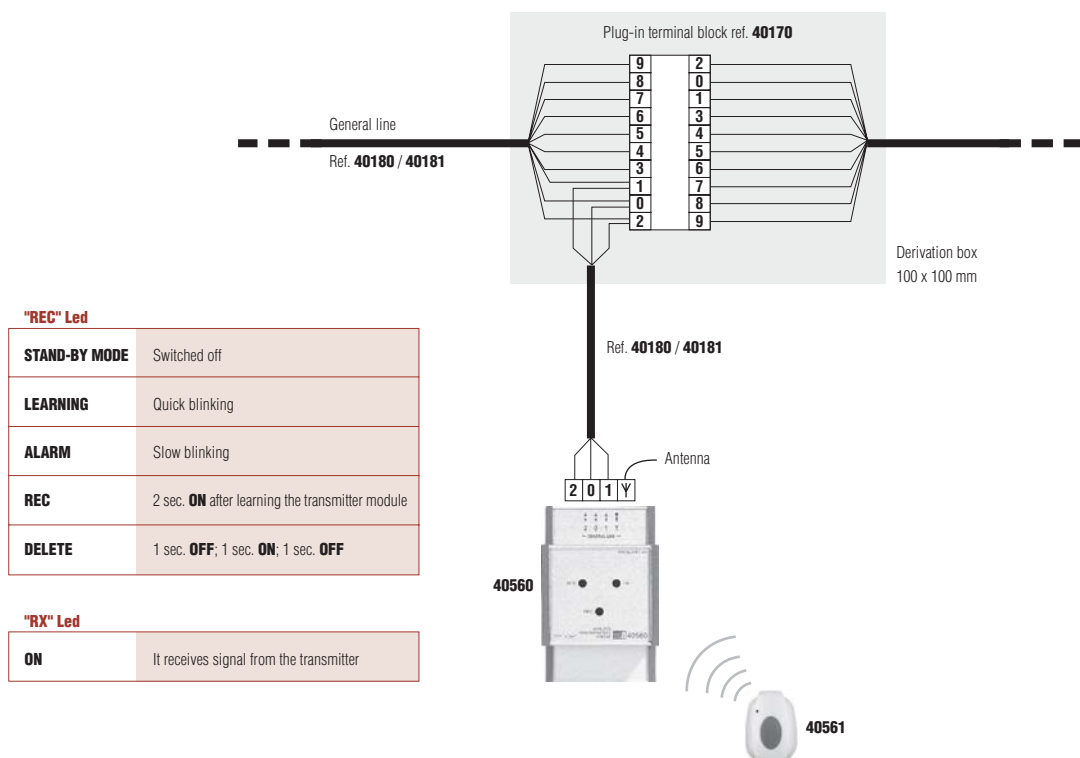
Press the transmitter button for more than 5 seconds to deactivate the **SOS** alarm.

Each receiver module allows up to 8 transmitter modules. To assign each transmitter to a receiver, it is necessary to configure them on the module.



40560	
BUS (general line)	3 conductors
Power supply	15 V=
Display	LCD
Consumption (max)	120 mA
Housing	EGi flush-mounting box of ref. V11F
DIN rail modules	6M wide
Dimensions (mm)	105 x 85.5 x 65

Connection diagram



4-Relay domotic auxiliary module (DIN rail mounting)

40540

40540 Domotic auxiliary module controls all your home electronic devices: local appliances (blinds, awnings, thermostat, etc) and general appliances (garden sprinklers, presence simulator, heating, etc). These home appliances can be activated or deactivated through a GSM phone, as well as from the control units, remote controls and domotic central unit.

4-Relay auxiliary module for 40540 module (DIN rail mounting)

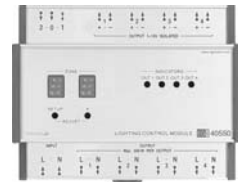
40640

40640 Domotic module gives 4 additional relays to the **40540** module.

Lighting control auxiliary module - 4 atmospheres (DIN rail mounting)

40550

40550 Lighting control module allows lighting control in order to set up the different atmospheres created by the **40620** lighting control unit. It is possible to connect 4 halogen or incandescent lamps and 4 fluorescent lamps to the corresponding outputs.



40540

BUS (general line)	3 conductors
Power supply	15 V= / 230 V-
Display	LCD
Consumption (max)	160 mA
Housing	EGi flush-mounting box of ref. V11F
DIN rail modules	6M wide
Dimensions (mm)	105 x 85.5 x 65

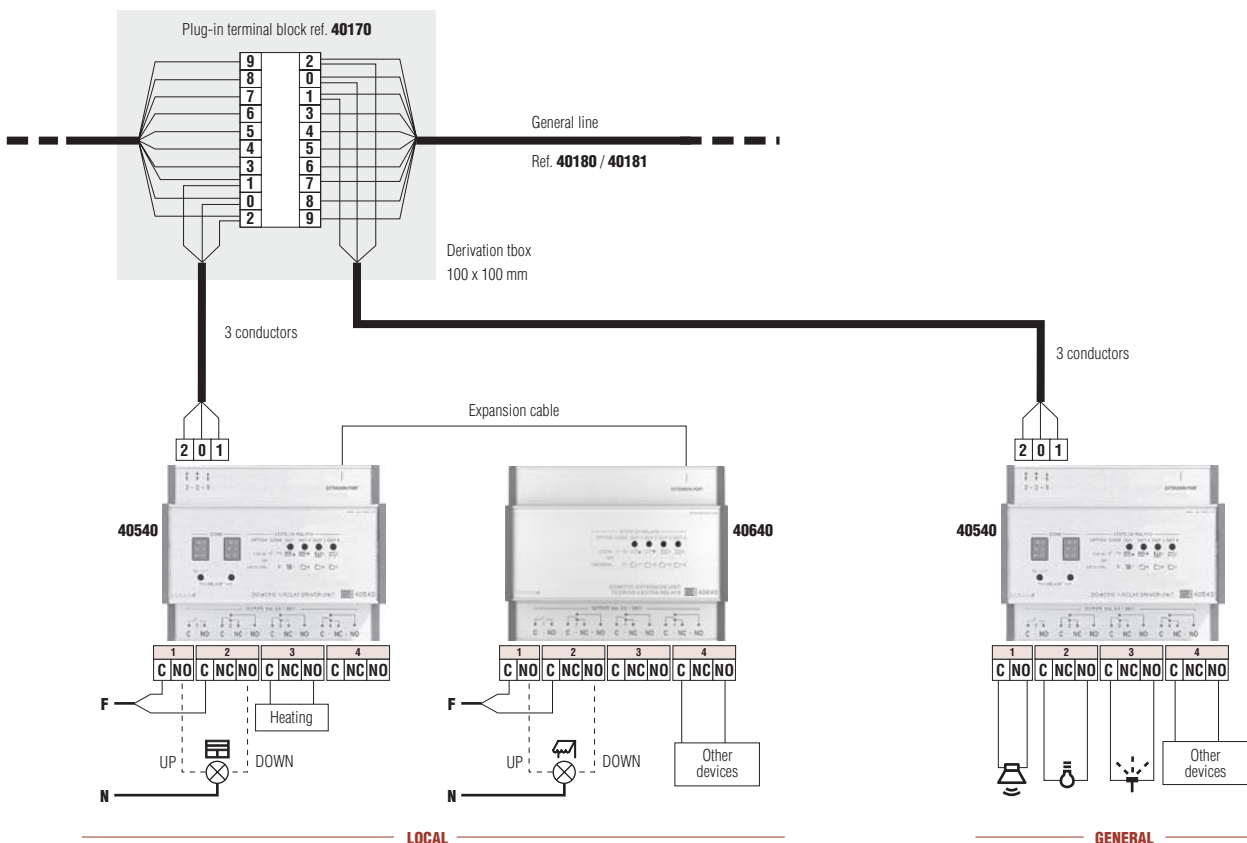
40640

BUS (general line)	3 conductors
Power supply	15 V= / 230 V-
Display	LCD
Consumption (max)	160 mA
Housing	EGi flush-mounting box of ref. V11F
DIN rail modules	6M wide
Dimensions (mm)	105 x 85.5 x 65

40550

BUS (general line)	3 conductors
Power supply	15 V= / 230 V-
Display	LCD
Consumption (max)	2000 mA
Housing	EGi flush-mounting box of ref. V11F
DIN rail modules	6M wide
Dimensions (mm)	105 x 85.5 x 65

Connection diagram



Other auxiliary modules (for flush-mounting box)

40630, 40650, 40660

4-Alarm relay station module

40630

This module allows the connection of the alarm sensors such as fire, gas, flooding and intruder in any place of the installation.

Extra-flat 4-Relay domotic module

40650

40650 Extra-flat 4-Relay domotic module controls all your home electronic devices: local appliances (blinds, awnings, thermostat, etc) and general appliances (garden sprinklers, presence simulator, heating, etc).

These home appliances can be activated or deactivated through GSM phone, as well as from the control units, remote controls and domotic central unit. Its extra-flat design make it perfect for small spaces.

Additional 4-Relay auxiliary module for 40650 extra-flat domotic module

40660

This module gives 4 additional relays to the **40650** module. Its extra-flat design make it perfect for small spaces.



40630

BUS (general line)	10 conductors
Power supply	15 V-
Display	LCD
Consumption (max)	150 mA
Housing	Derivation box (160 x 110) or false ceiling
DIN rail modules	6M wide
Dimensions (mm)	110 x 55 x 35



40650

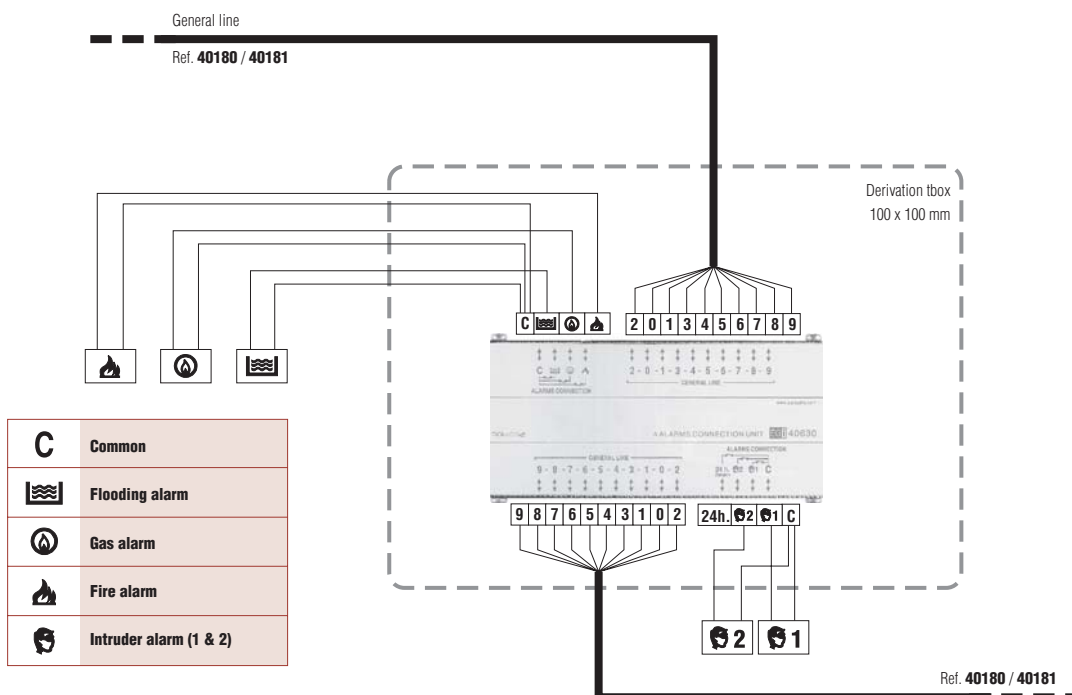
BUS (general line)	10 conductors
Power supply	15 V-
Display	LCD
Consumption (max)	160 mA
Housing	Derivation box (160 x 110) or false ceiling
DIN rail modules	6M wide
Dimensions (mm)	85 x 45 x 33



40660

BUS (general line)	10 conductors
Power supply	15 V-
Display	LCD
Consumption (max)	160 mA
Housing	Derivation box (160 x 110) or false ceiling
DIN rail modules	6M wide
Dimensions (mm)	85 x 45 x 33

Connection diagram



The modules described in this manual are complemented with a loudspeaker system, specially designed to make the most of DOMOS2 series. It is possible to choose between basic equipments such as the G13U loudspeaker for in-wall mounting in ø60 mm box or the G14A loudspeaker for in-ceiling mounting, which delivers exceptional quality sound. We present 40440 and 40450 models as the latest innovation. These units have been designed for in-wall mounting and can easily be integrated into any room, delivering exceptional quality sound (coming soon product).



G13U/16

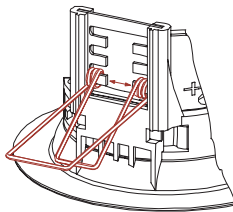
Power (RMS)	2 W
Quality	Wide band
Loudspeaker impedance	16 Ω
Response (@ -6 dB)	150 - 16.000 Hz
Sensitivity (@ 1 W, 1 m)	83 dB
Cover angle (@ 4 KHz)	150° @ -6 dB
Housing	ø60 mm box
Size	2"



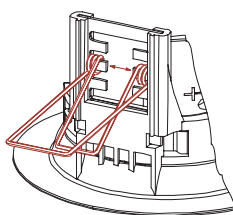
G28N/16

Power (RMS)	2 W
Quality	Wide band
Loudspeaker impedance	16 Ω
Response (@ -6 dB)	150 - 16.000 Hz
Sensitivity (@ 1 W, 1 m)	83 dB
Cover angle (@ 4 KHz)	150° @ -6 dB
Housing	ø60 mm box
Size	2"

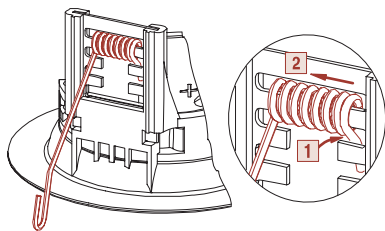
Spring mounting



From 1 to 5 mm thick in sheet or wood.

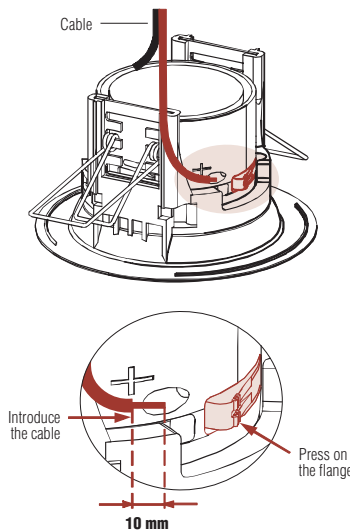


From 1 to 15 mm thick in plaster or wood.

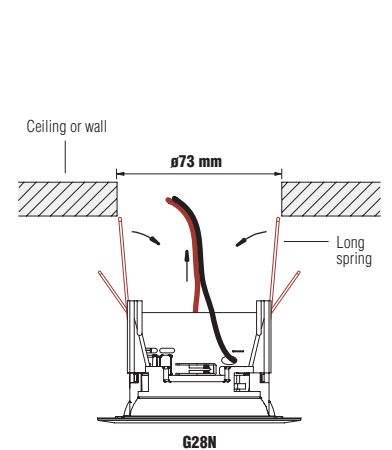


From 5 to 50 mm thick in plaster or wood.

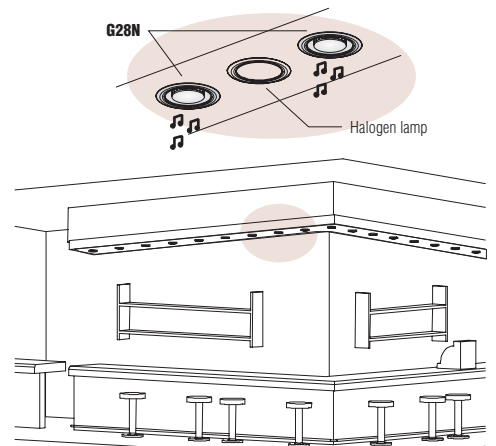
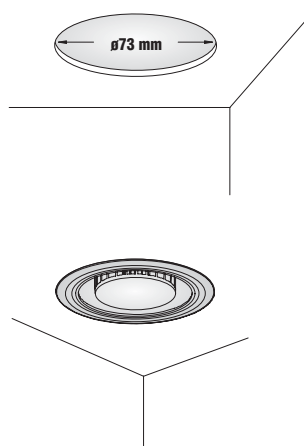
Connection



Ceiling mounting



Ceiling mounting final result





G14A/16

Power (RMS)	6 W
Quality	Wide band
Loudspeaker impedance	16 Ω
Response (@ -6dB)	50 - 11.000 Hz
Sensitivity (@ 1 W, 1 m)	92 dB
Cover angle (@ 4 KHz)	100° @ -6 dB
Housing	EGi flush-mounting box of ref. V19A
Size	5" (ø174 x 84 mm)



G17F/16

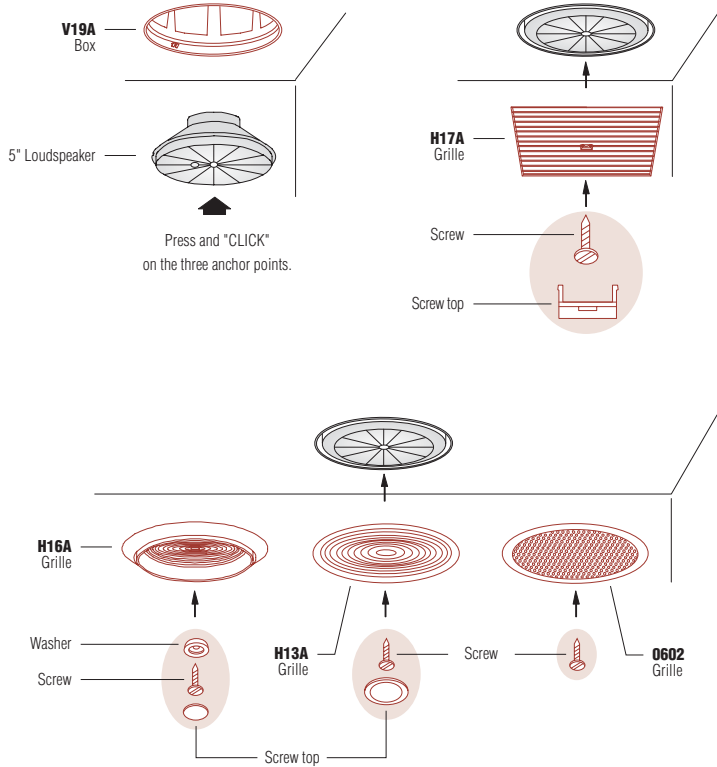
Power (RMS)	6 W
Quality	Wide band
Loudspeaker impedance	16 Ω
Response (@ -6dB)	50 - 11.000 Hz
Sensitivity (@ 1 W, 1 m)	92 dB
Cover angle (@ 4 KHz)	100° @ -6 dB
Housing	EGi flush-mounting box of ref. V11F
Size	5" (226 x 130 x 45 mm)



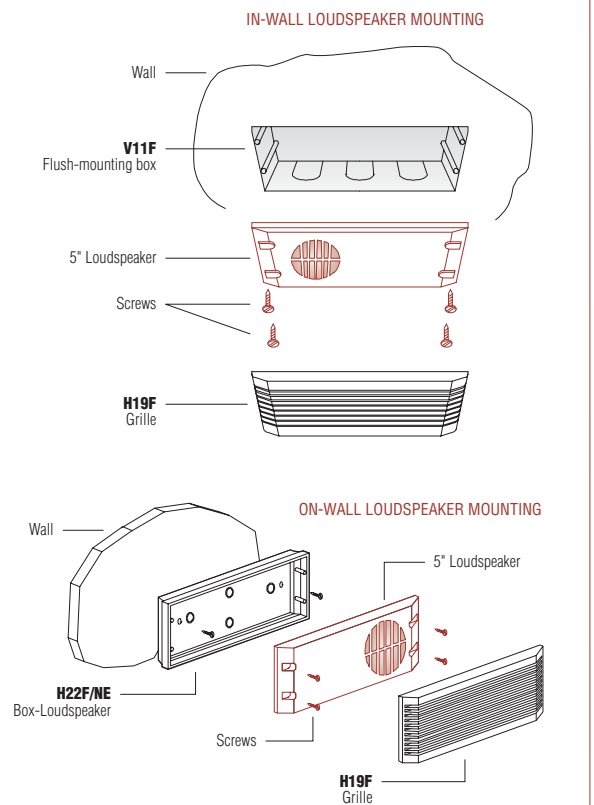
G18F/16

Power (RMS)	2 W
Quality	Standard
Loudspeaker impedance	16 Ω
Response (@ -6 dB)	120 - 10.000 Hz
Sensitivity (@ 1 W, 1 m)	88 dB
Cover angle (@ 4 KHz)	100° @ -6 dB
Housing	EGi flush-mounting box of ref. V11F
Size	5" (226 x 130 x 45 mm)

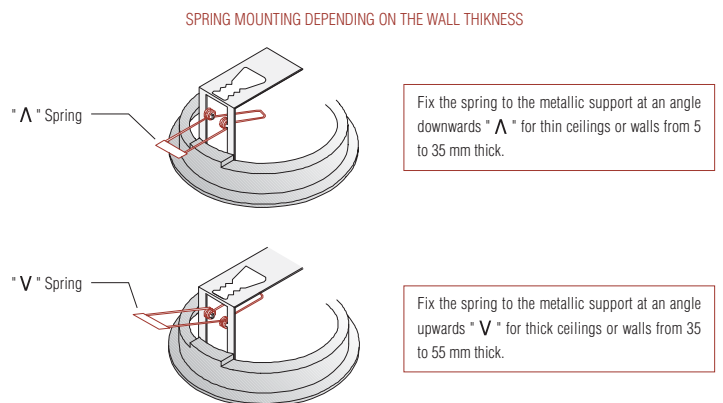
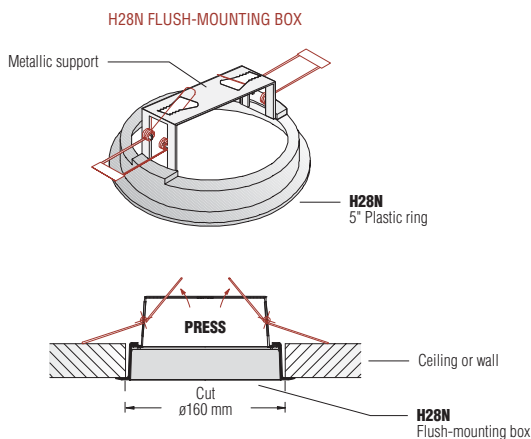
Method for mounting a 5" loudspeaker and its grille on a flush-mounting box



Method for mounting a 5" loudspeaker with square grille



Method for mounting a 5" loudspeaker with H28N flush-mounting box in ceilings and walls without doing building work



1-Gang front trim for ø60 mm box

1801/xx

It is designed for in-wall installation in ø60 mm box. It comes in a wide variety of finishes. (Please consult our general catalogue).

2-Gang front trim for ø60 mm box

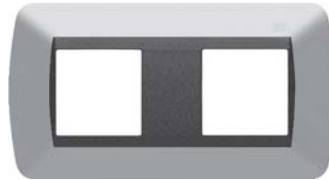
1802/xx

It is designed for in-wall installation in ø60 mm box. It comes in a wide variety of finishes. (Please consult our general catalogue).



1801/xx

No. Modules 1M
Housing ø60 mm box
Dimensions (mm) 88 x 90 x 13.5



1802/xx

No. Modules 2M
Housing ø60 mm box
Dimensions (mm) 88 x 161 x 13.5



1801/xx - 1802/xx - 40810 - 40820:

Front trims of the modules and other accessories are **NOT INCLUDED**, except where otherwise indicated.

Aluminium front trim for DIN rail modules

40810

For **V11F** and **W11F** flush-mounting boxes. It measures 12 DIN modules wide.

Aluminium double front trim for DIN rail modules

40820

For **V11F** and **W11F** flush-mounting boxes. It measures 24 DIN modules wide.



40810

Finish Aluminium
DIN rail modules 12M wide
Dimensions (mm) 280 x 155 x 40



40820

Finish Aluminium
DIN rail modules 24M wide
Dimensions (mm) 545 x 155 x 40

Examples of combinations



Information

Information

ABOUT THIS MANUAL

We have taken all efforts to make the contents of this manual reliable and updated. However, **EGi** does not guarantee the accuracy of the contents which are subject to change without previous notice.

COPYRIGHT INFORMATION

This manual in whole or in part, and any product or software described herein, may not be reproduced, transmitted, saved in data recovery systems, or translated into any language in any form or by any means, except all documents saved by the user to make security copies; without the previous written consent of the manufacturer.

All products or corporate names herein may (or not) be registered trademarks or copyright of their respective companies and are used for identification or explanatory reasons only, and in interest of the owner without the intention of infringing any regulation or rule.

Copyright © 2007. All rights reserved.

SAFETY INFORMATION

Your **DOMOS2** system has been designed and manufactured in order to comply with the latest security standards for domestic electronic equipments. However, it is important to follow the security instructions herein in order to ensure safe use of the product.

TECHNICAL SUPPORT

If you face some problem while using your system, and this manual cannot solve the problem, please contact your technician. Consult our web page, for updated information and other resources to solve your problem.

EMC INFORMATION

DOMOS2 devices comply with the ER,EN 55022 regulations. Operation is subject to the following two conditions:

1. This device may not cause harmful interference.
2. This device must accept any interference received, including interference that may cause undesired operation.

This equipment has been tested and found to comply with the limits for a Class B digital device, according to ER,EN 55022 regulations. These limits are designed to provide reasonable protection against harmful interference in residential installations.

This equipment generates, uses, and can radiate radio-frequency energy and, if not installed and used in accordance with the instructions, may cause harmful interference to radio communications.

However, there is no guarantee that interference will not occur in a particular installation.

If this equipment does cause interference to radio or television reception, which can be determined by turning the equipment off and on, the user is encouraged to try to correct the interference by one or more of the following measures:

- Reorient or relocate the receiving antenna.
- Increase the separation between the equipment and receiver.
- Connect the equipment into an outlet on a circuit different from that to which the receiver is connected.
- Consult the dealer or an experienced radio/TV technician for help.

LIABILITY

Owing to the wide range of services and devices that interact with the **DOMOS2** system, the manufacturer is not liable for failures or faulty operation or malfunction of devices or systems connected or used by any module belonging to **DOMOS2** series.

DOMOS²

DOMOS²
Audio y Domótica

Avda. Almozara, 79
50003 Zaragoza - SPAIN
Tel. +34 976 40 53 56
Fax +34 976 40 53 54
[http://: www.egiaudio.com](http://www.egiaudio.com)
e-mail: info@egiaudio.com



005685

2178317010889999